

Verve Headrest

Assembly Guide

Branch

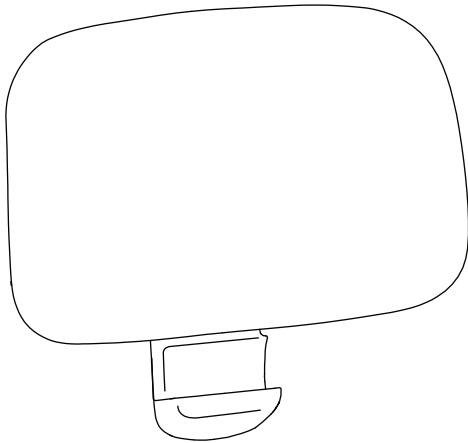
The new way of working you've been waiting for.

Scan here for a digital copy
of your assembly guide.

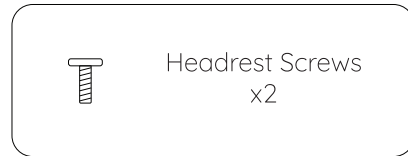


Components

Headrest
x1

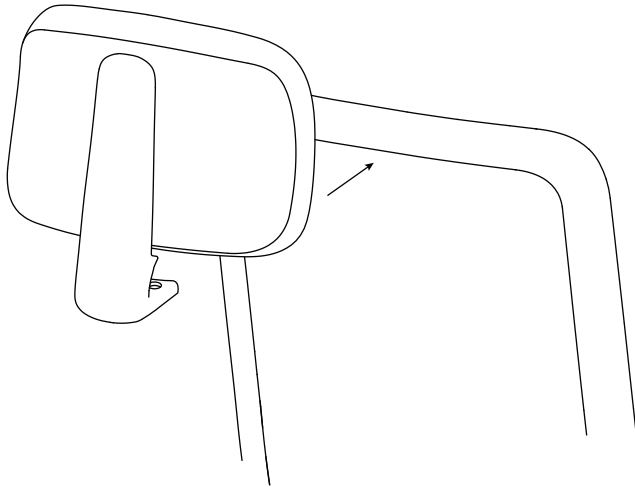


Headrest Screws
x2

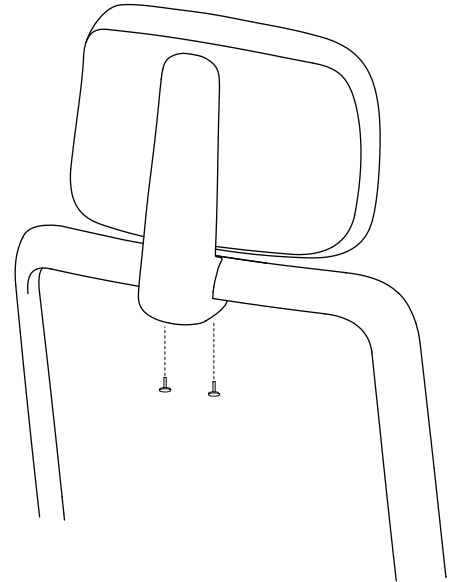


1

①



②

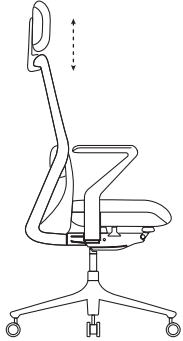


Attach Headrest to the top rear of the chair back frame. Align the holes on the Headrest base to the chair frame, insert both Headrest Screws (x2), and tighten with the Hex Allen Key.

User Guide

Headrest Adjustment:

Base of Headrest



To adjust position:

Slide headrest up and down to adjust headrest height.

Contact

Have a question, comment, or suggestion?

hello@branchfurniture.com
branchfurniture.com

Branch