

L-Standing Desk

Assembly Guide

Branch

The new way of working you've been waiting for.

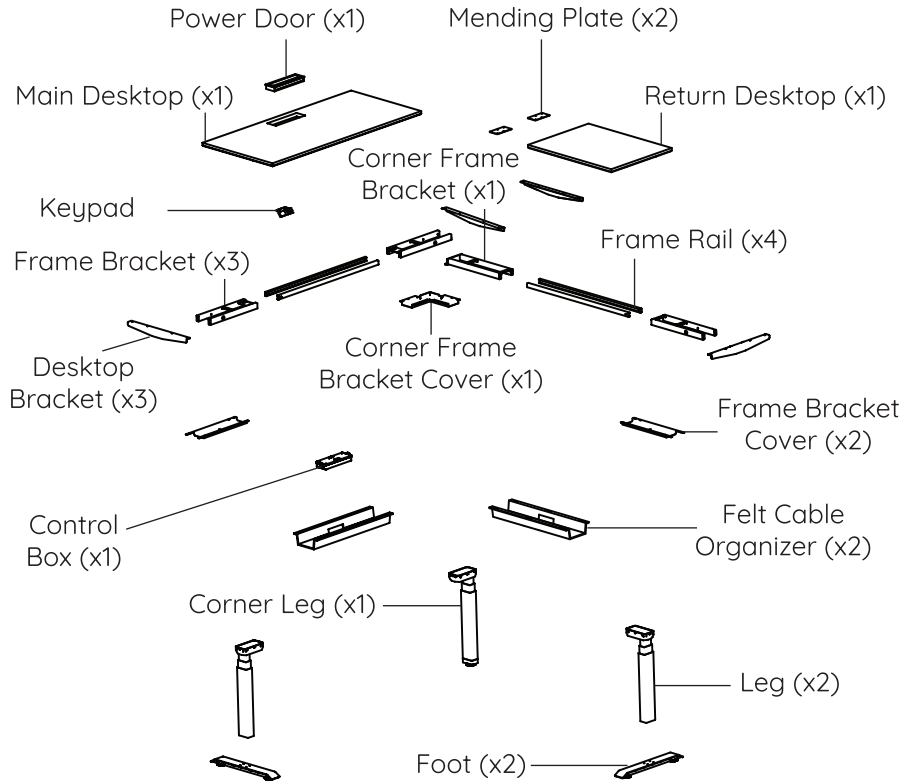
Scan here for a digital copy
of your assembly guide.



Caution

- Please read these instructions fully prior to assembly and verify that all components are present before you start the assembly process.
- Three-person assembly required.
- Do not change the specifications or modify this product, including the adjustable lifting columns, control box or keypad or use for any other purpose beyond its intended use as a desk.
- This product contains electrical components and the risk of electric shock. Keep dry and away from moisture.
- Do not modify any of the electrical components or use if any of the components or electric cords are damaged or parts are exposed.
- Make sure all cords are an appropriate length to accommodate the full range of height of the adjustable lifting columns.
- Keep children away from adjustable desktop lifting columns and electrical components to avoid risk of shock and injury.
- Tipping Hazard. Do not sit or stand on the desk.
- If any parts are missing, broken, damaged, or worn, stop use of the product until Branch authorized replacement parts are received. Failure to follow these warnings could result in serious injury or death and void any warranty.
- Keep this manual for future reference.

Components



Included Hardware

M6 x 12mm Screw (x40)



M6 x 14mm Screw (x8)



ST5 x 20mm Wood Screw (x37)



Branch Thumbscrew (x12)



4mm Allen Wrench (x1)



Screwdriver (x1)



Cable Clip (x5)

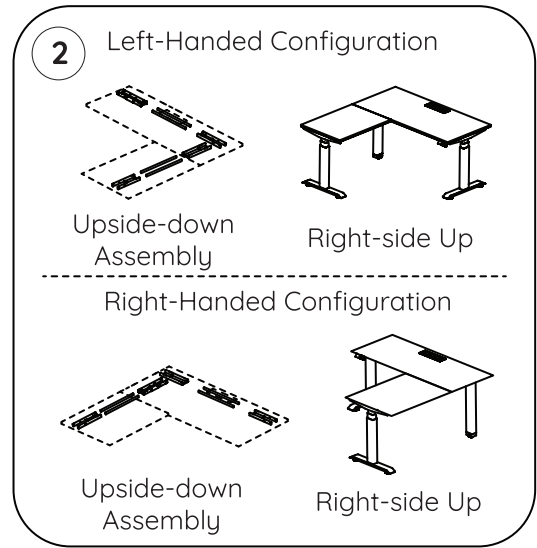
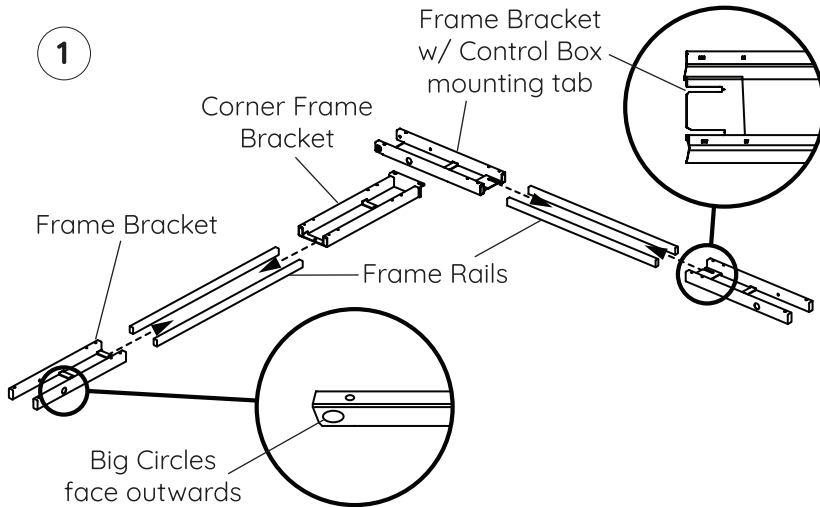


Power Cable (x1)



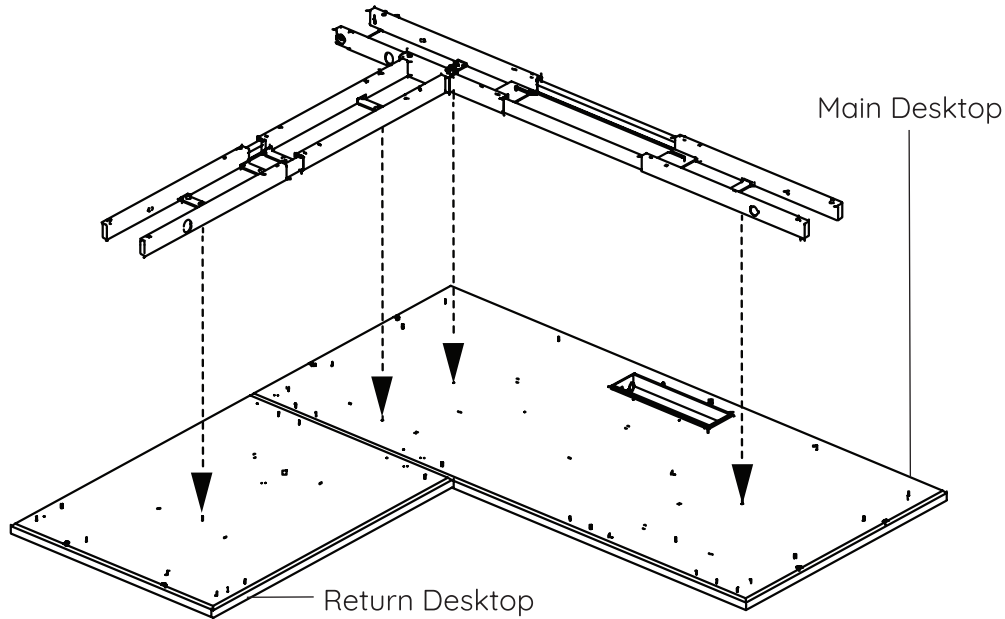
Straight Extension Cable (x2)

1



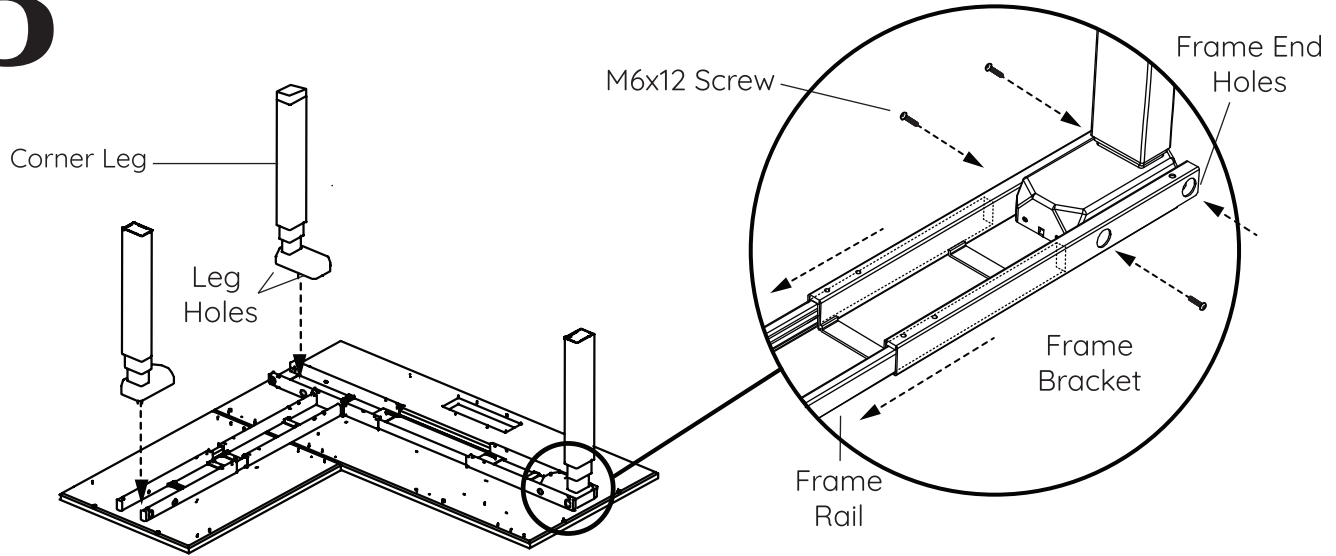
On a clean, flat surface, lay out the **Frame Bracket** (x1), **Corner Frame Bracket** (x1), and the **Frame Brackets with Control Box Mounting Tabs** (x2). Make sure that the large circular ends face outward and the Control Box mounting tabs face inward. Reference the diagram to determine the upside down layout orientation for **Right** or **Left-Hand** Desk configurations. In sets of two, position the **Frame Rails** (x4) horizontally between the Bracket sets, then carefully slide each **Frame Rail** into the open channels of the **Brackets**.

2



On a clean, flat surface, place the **Main Desktop** (x1) and **Return Desktop** (x1) in the same upside-down orientation as the previous step. Carefully align the holes in the **Frame Brackets** with the pre-drilled holes in the **Desktops**.

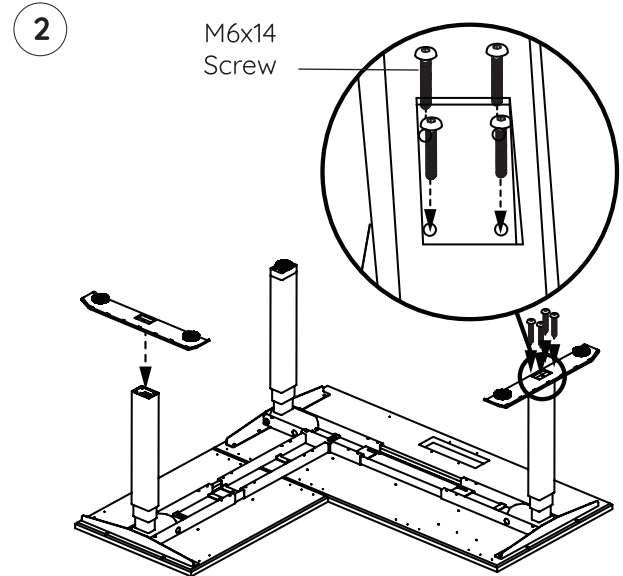
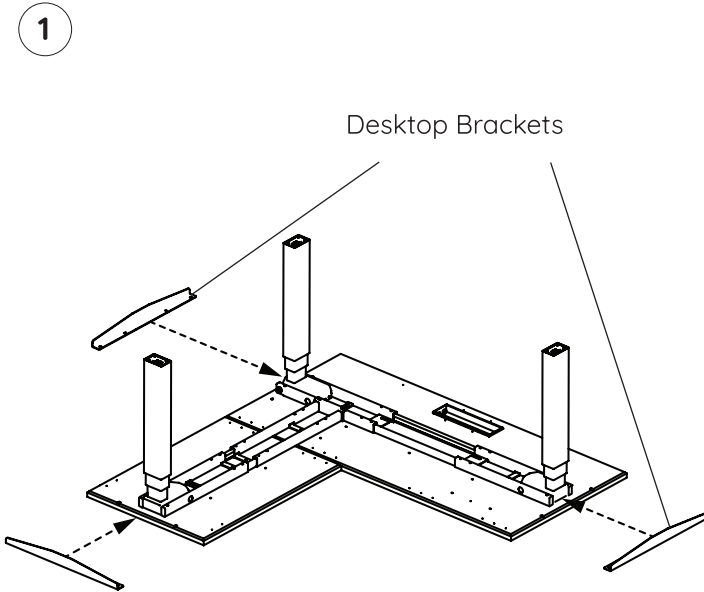
3



Next and one at a time, insert each **Leg** (x2) and **Corner Leg** (x1) into the corresponding **Bracket**, ensuring the **Frame Holes** align with the **Leg Holes**. For ease of installation, the **Frame Rails** can slide away from the **Legs** temporarily for better access to the **Leg Holes**. Securely tighten the **Corner Leg** (x1) and **Legs** (x2) to the **Frame** using **M6x12 Screws** (x12) with the **4mm Allen Wrench** (x1). If moved, please return the **Frame Rails** to their original position.

Branch Tip: For easy alignment, have your friend lift and angle the **Legs** to line up the **Frame Holes** to the **Leg Holes** during installation of the **Screws** with the **Allen Wrench**

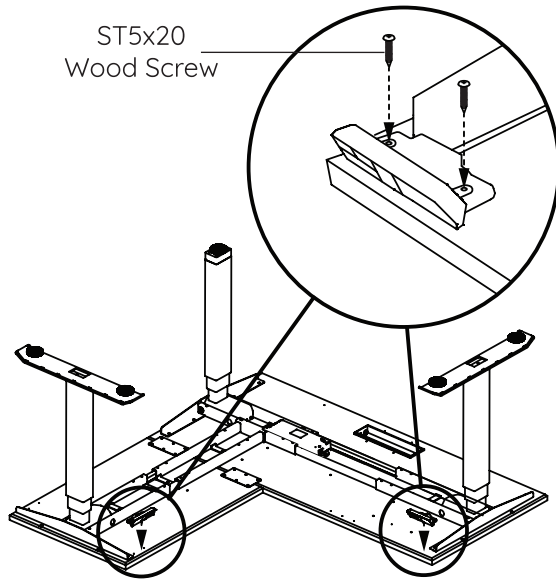
4



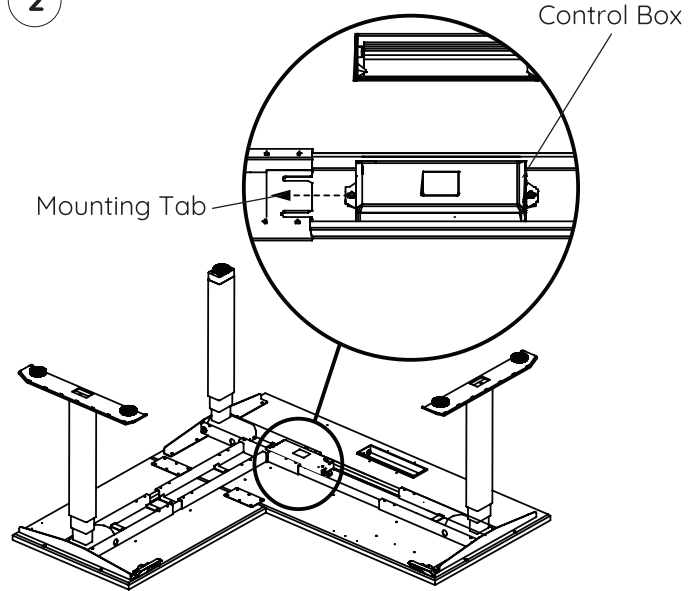
Align the **Desktop Brackets** (x3) to the outer ends of the **Frame Brackets** (x3) as shown. Do not install until instructed later in this guide. Next, place the **Feet** (x2) over the bottom of the **Legs**, aligning the holes. Securely tighten the **Feet** to the **Legs** using **M6x14 Screws** (x8) with the **4mm Allen Wrench** (x1).

5

1

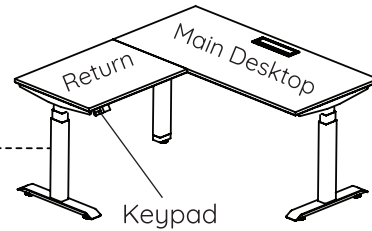
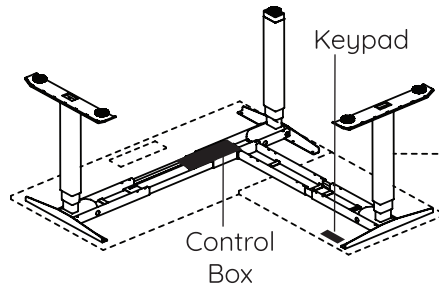
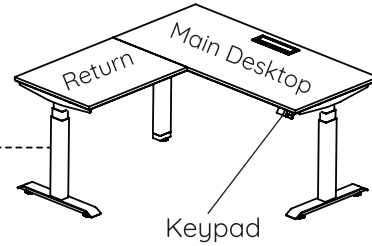
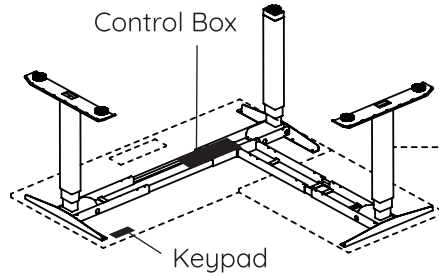


2



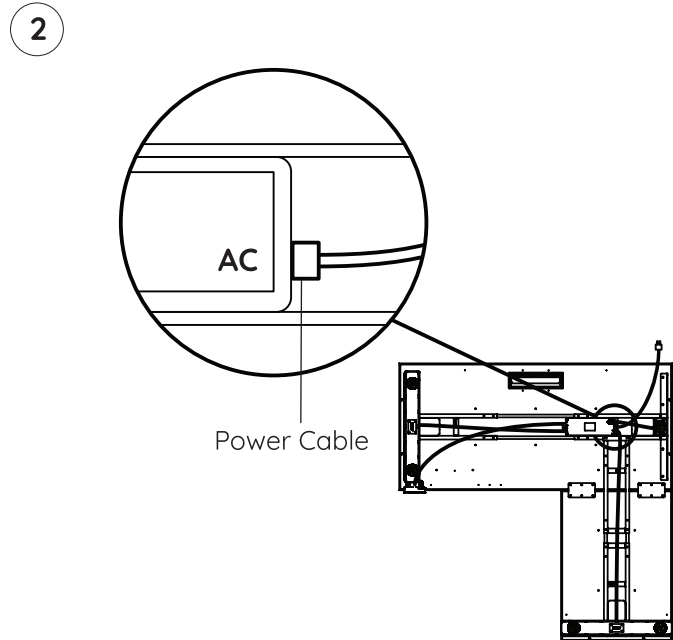
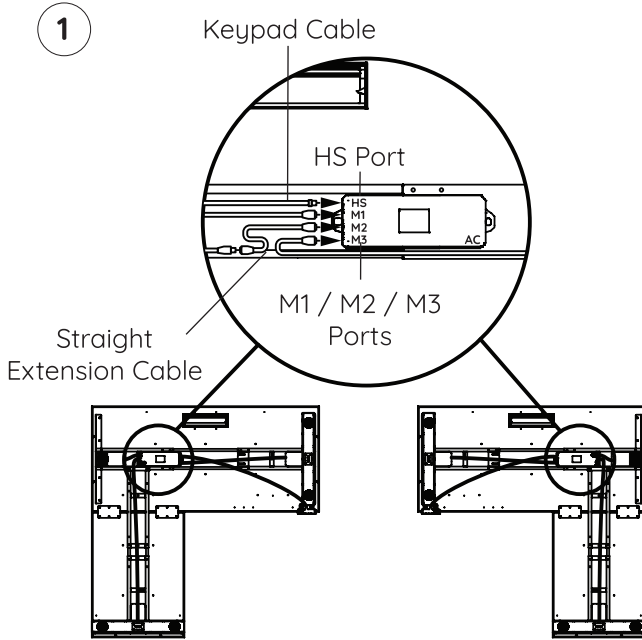
Position the **Keypad** (x1) over the pre-drilled holes on the left or right side of the **Desktop** (x1), as preferred. Secure it using **ST5x20 Wood Screws** (x2) with the **Screwdriver** (x1). Next, carefully slide the **Control Box** (x1) onto the **Mounting Tab** of the **Frame Bracket** as shown.

6



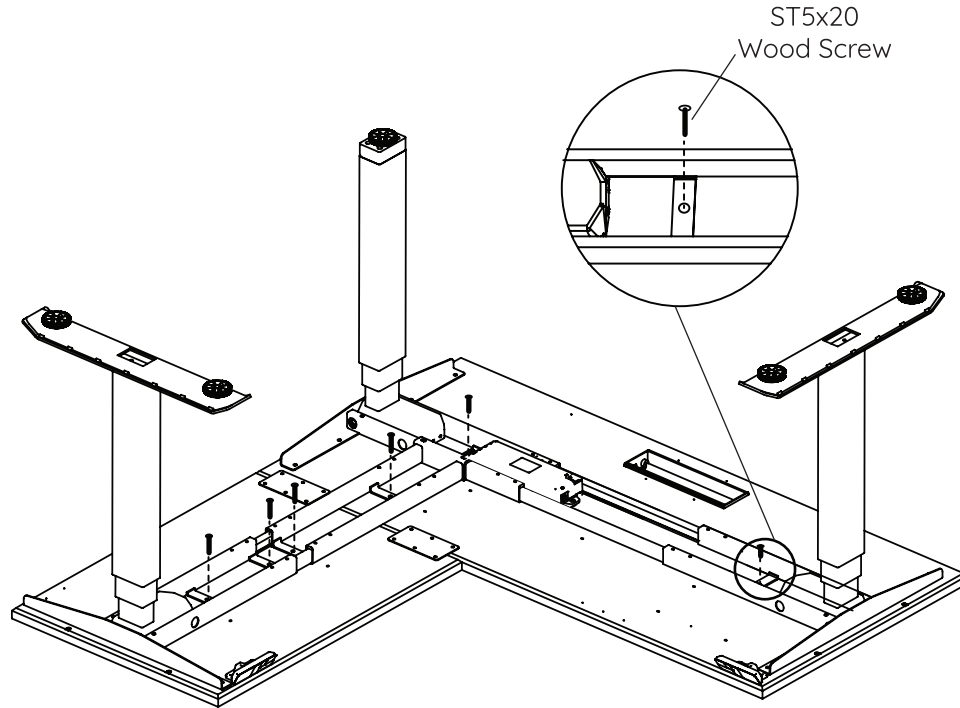
Note: The **Control Box** must be mounted close to the Corner Leg. If placed elsewhere, the **Straight Extension Cable** will not reach.

7



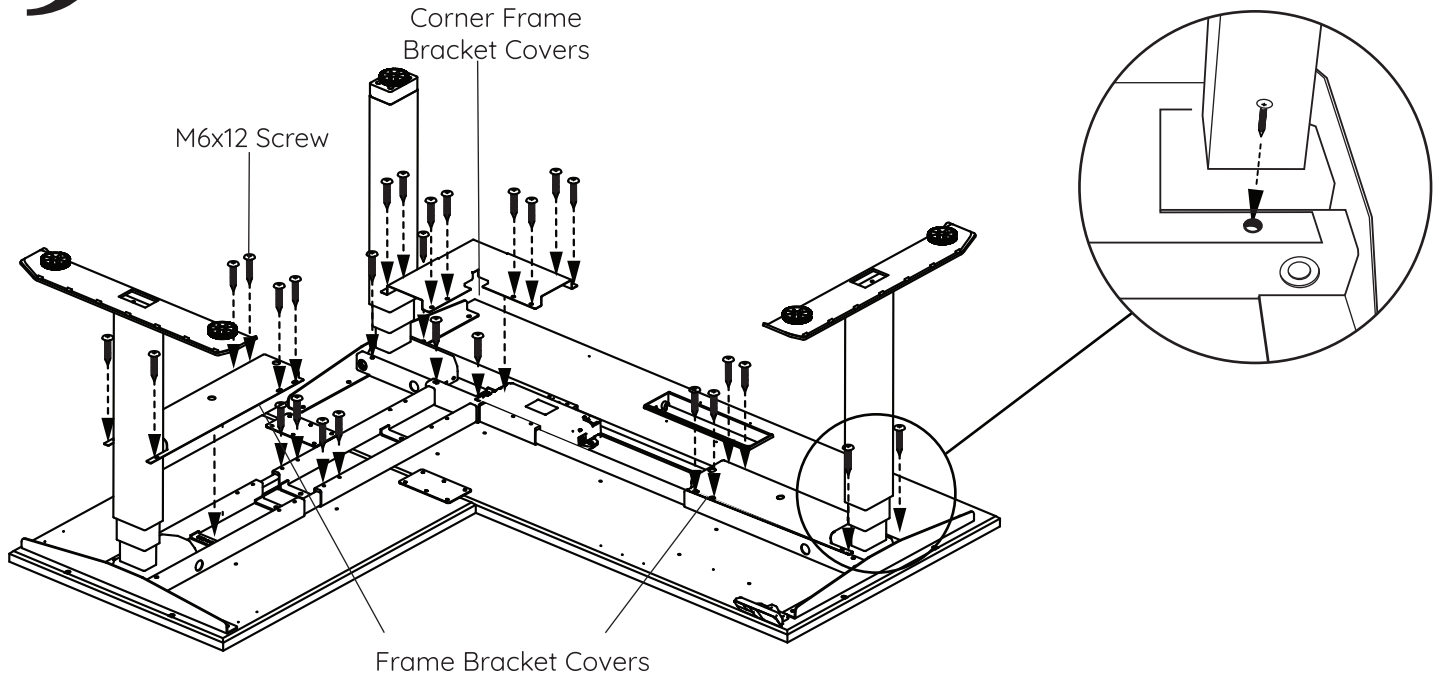
Route the **Keypad** and **Leg Cables** to the **Control Box**. Plug the **Keypad** into the **HS port**. Connect the **Legs** to the **M1, M2, and M3 ports**. If the **Leg Cable** is too short, use the **Straight Extension Cables** (x2) as needed. Next, connect the **Power Cable** (x1) to the **Control Box** (x1).

8



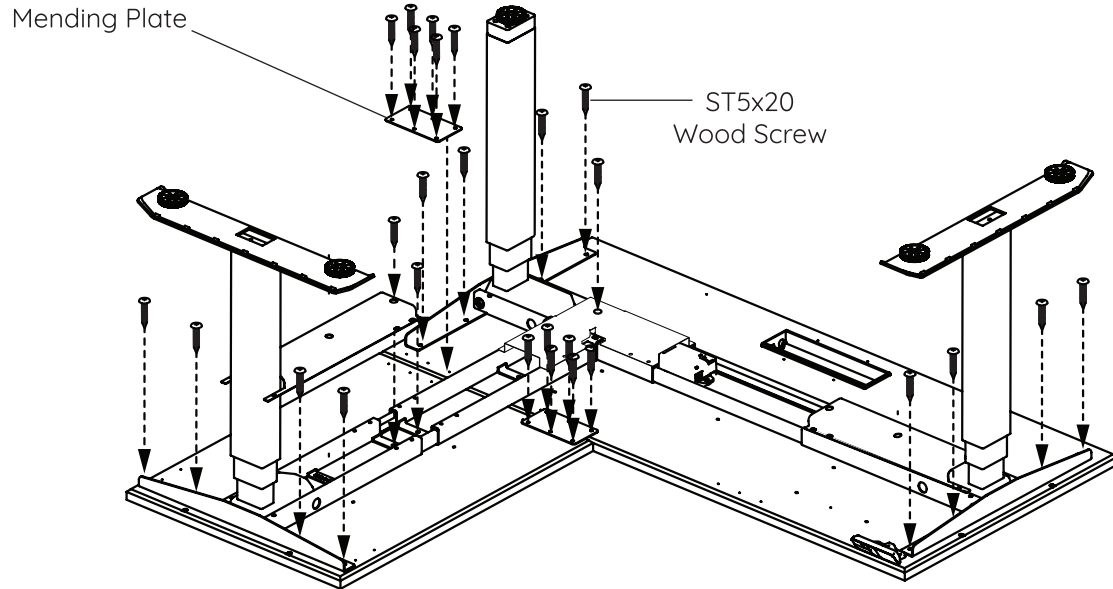
Insert the **ST5x20 Wood Screw** (x6) into the center bracket holes of the frame brackets, securing tightly with the **Screwdriver**.

9



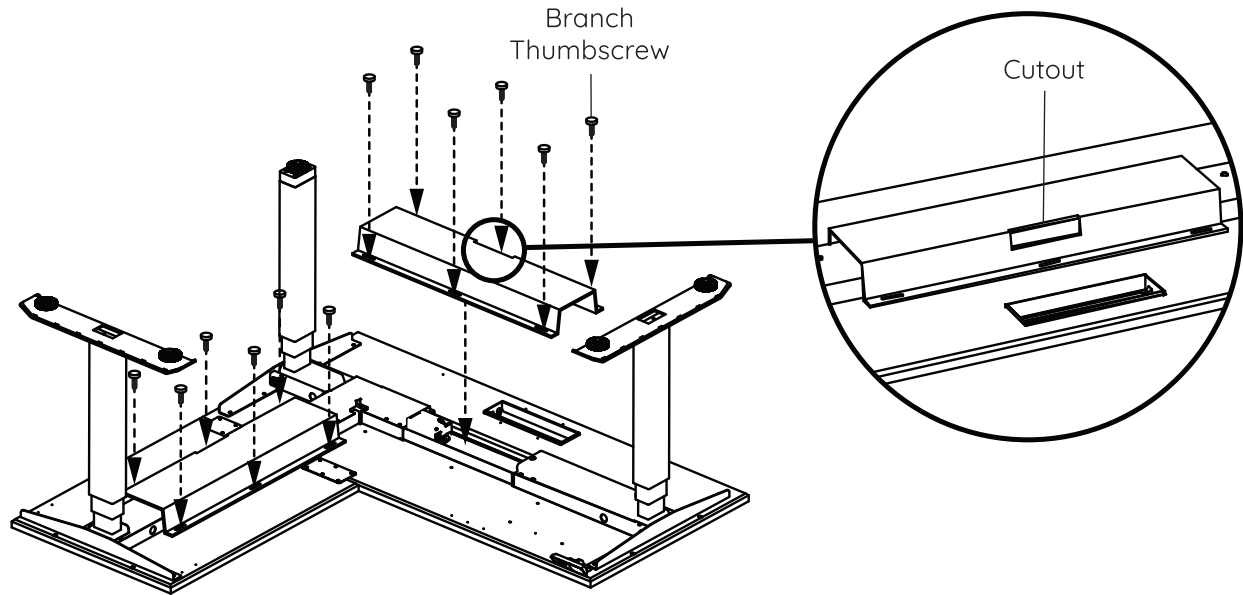
Next, Carefully position and align the holes in the **Corner Frame Bracket Cover** (x1) and the **Frame Bracket Covers** (x2) with the holes on the **Frame** and **Desktop Brackets** as shown, and securely attach them using **M6x12 Screws** (x28) with the **4mm Allen Wrench** (x1).

10



Align and position the holes on the **Mending Plate** (x2) over the holes on the **Main** and **Return Desktops**. With all **Frame** pieces aligned with the desktop, securely tighten the **Frame**, **Desktop Brackets**, and **Mending Plates** to the **Desktop** using **ST5x20 Wood Screws** (x24) with the **Screwdriver** (x1).

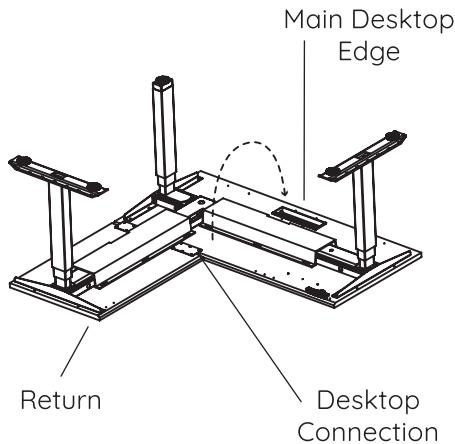
11



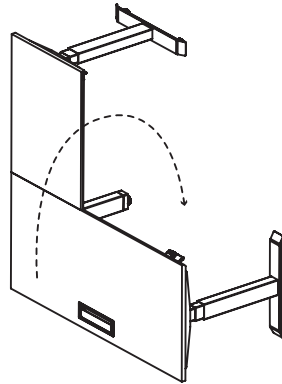
Orient the **Felt Cable Organizers** (x2) on the **Desktops** with the cutout facing the back of the **Desktops** and align the mounting holes to the Desktop holes. Attach using the **Branch Thumbscrews** (x12), tightening them by hand.

12

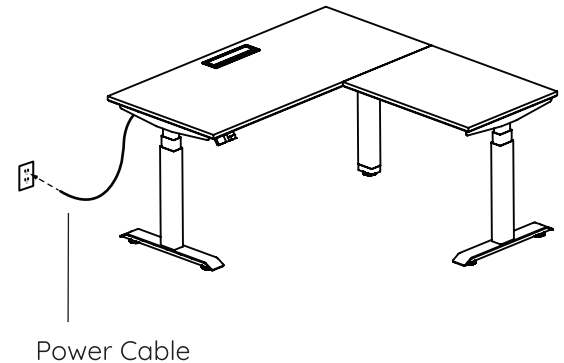
1



2

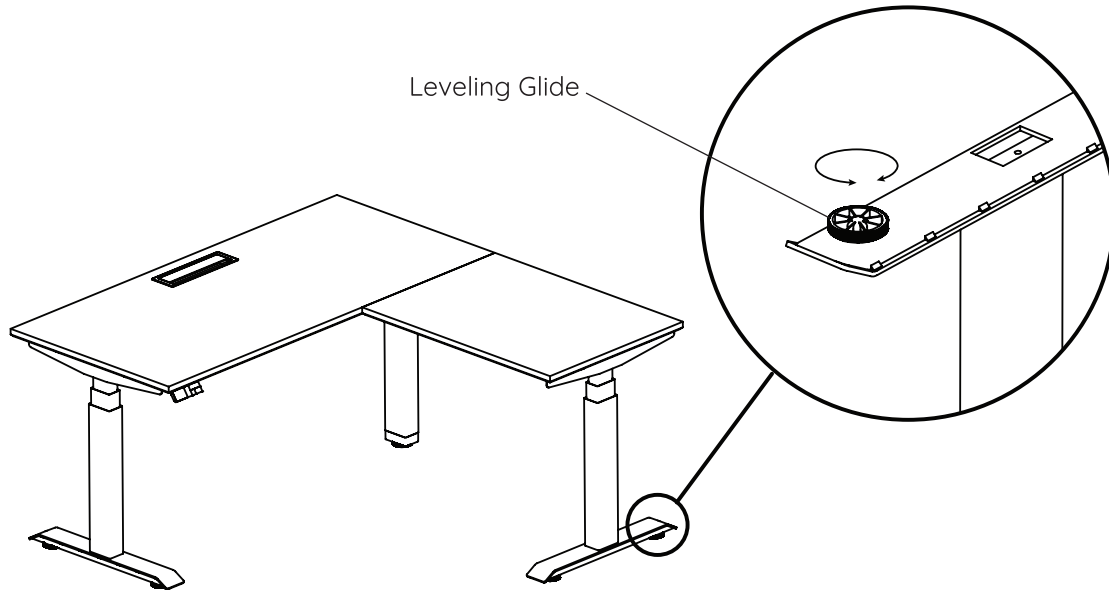


3



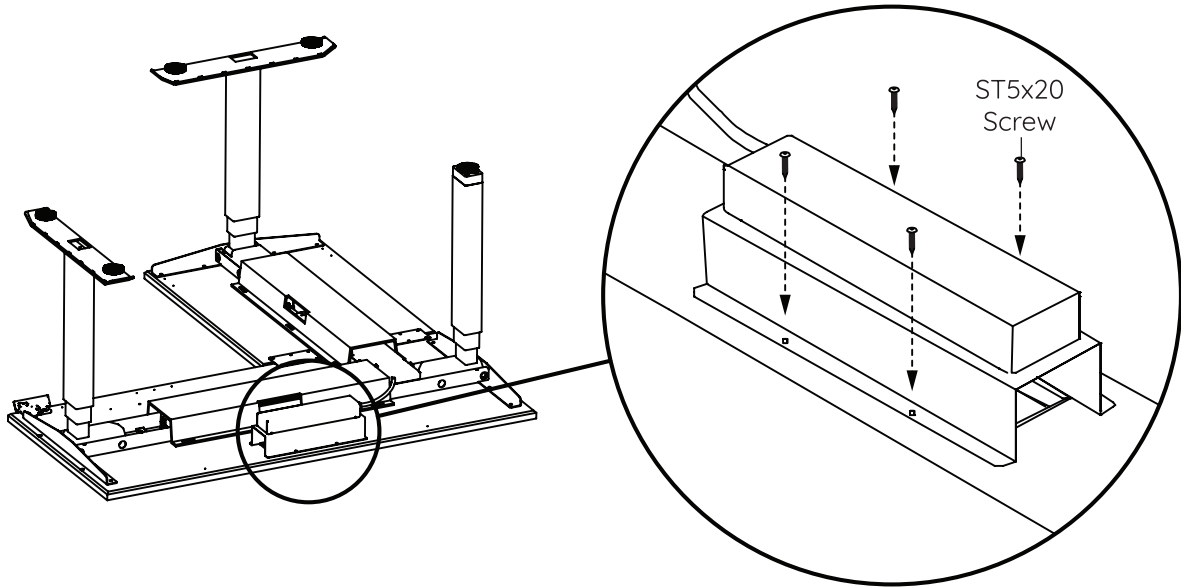
With both friends, carefully flip the assembled **L-Standing Desk** upright by flipping it over the **Main Desktop** edge. When lifting the **Return** portion of the desk, ensure that the **Connection** between the two **Desktops** is supported, and that lifting is done equally from the **Frame** components and **Desktop** portions of the desk. Once positioned, plug the **Power Cable** into the nearest power outlet

13



To level the **L-Standing Desk** on uneven flooring, adjust the **Leveling Glides** (x5) located on the bottom of the desk feet. Turn the **Glide** clockwise to lower that corner of the desk, or counterclockwise to raise it, until the desk is level and stable.

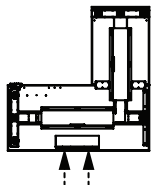
14 (Optional In-Desk Power)



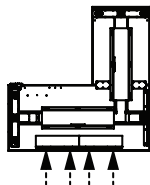
To install the optional **In-Desk Power Unit** (x1), align its mounting holes with the pre-drilled holes in the **Desktop** (x1). Securely tighten it using **ST5x20 Screws** (x4) with the **Screwdriver** (x1).

15 (Optional Cable Tray)

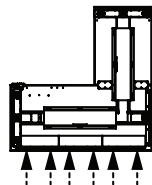
58" Wide
Desktops



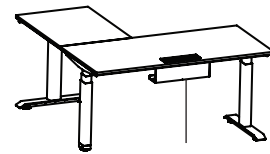
1 Cable Tray
2x Screws



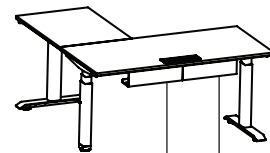
2 Cable Trays
4x Screws



3 Cable Trays
6x Screws

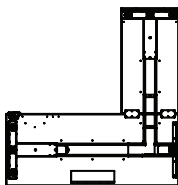


1 Cable Tray

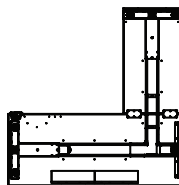


2 Cable Trays

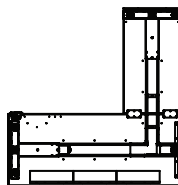
71" Wide
Desktops



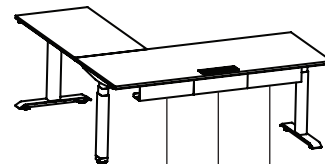
1 Cable Tray
2x Screws



2 Cable Trays
4x Screws



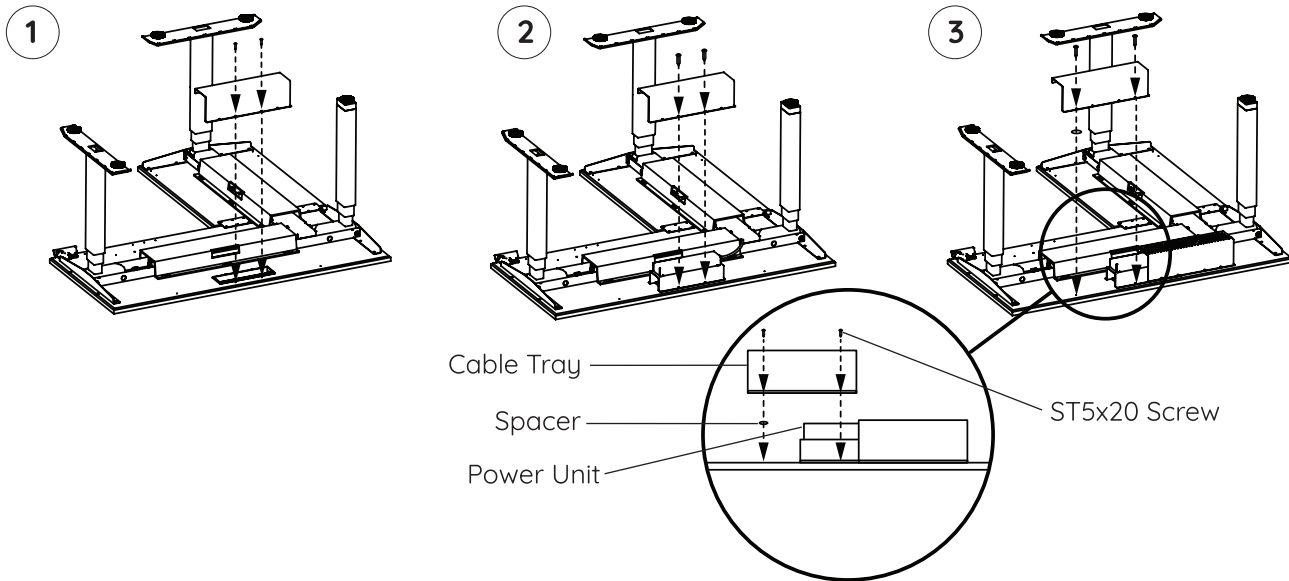
3 Cable Trays
6x Screws



3 Cable Trays

The optional **Cable Tray** can be installed individually or in multiples to help manage cables and maintain a clean, organized workspace. Refer to the diagrams to identify your desk width and the correct mounting positions based on the number of **Cable Trays** being used.

16 (Optional Cable Tray)



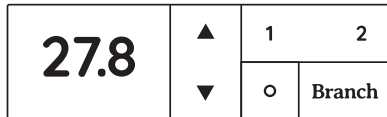
To install the **Cable Tray**, align its mounting holes with the pre-drilled holes in the **Desktop** (x1). Securely tighten using **ST5x20 Wood Screws** (x2). If installing over a **Branch In-Desk Power Unit**, use the same screws to attach both. For multiple **Cable Trays** installed over a **Branch In-Desk Power Unit**, use the included **Cable Tray Spacers** as shown to maintain a flush surface.

User Guide (Keypad)



Desk Reset / Initialization

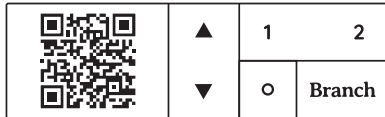
1. To initialize your desk after assembly (or, if there is an error within the system) press & hold the **Down Arrow [▼]** until the desk reaches the lowest position.
2. Press & hold the **Down Arrow [▼]** again for 5 seconds until the **Reset Icon [🔄]** appears on the screen.
3. Press and hold the **Down Arrow [▼]** a final time until the Desk Reset Function completes its movement and the screen returns to the current Desk Height.



Raising / Lowering the Desk

1. Press the **Up Arrow [▲]** or **Down Arrow [▼]** once for small height adjustment.
2. Press and hold the **Up Arrow [▲]** or **Down Arrow [▼]** for continuous height adjustment.

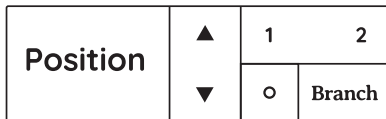
User Guide (Keypad)



Branch App QR Code

Download the Branch App to unlock additional features and customize your Standing Desk experience through Bluetooth connectivity. To access the Bluetooth QR code:

1. Press the **Menu Button [o]** once to enter the main menu. Use the **Down Arrow [▼]** to scroll to the **Bluetooth** option.
2. Press the **Menu Button [o]** to open the Bluetooth screen. A QR code will appear — scan it using your mobile device to download the Branch App and pair with your desk.

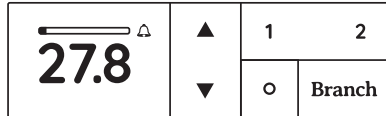


Memory Settings

The keypad can store two height presets for quick access. Additional memory positions can be saved using the Branch App. To save a height preset:

1. Adjust the desk to your desired height using the **Up Arrow [▲]** or **Down Arrow [▼]**.
2. Press the **Menu Button [o]** once to enter the menu. Press the **Menu Button [o]** again to select the **Position** option.
3. Press either the **1** or **2 Button** to save your height position to that memory slot. A checkmark animation will confirm the preset has been saved.
4. To recall a saved height preset, double-tap the **1** or **2 Button**. The desk will automatically adjust to the saved height. To manually adjust to the saved height, press and hold the **1** or **2 Button** instead.

User Guide (Keypad)

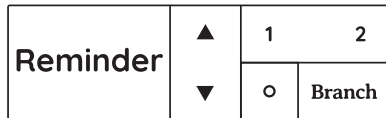


Sedentary Reminder

The keypad includes a Sedentary Reminder feature that prompts you to stand or move at regular intervals. When enabled, the keypad will display a screen alert and/or a subtle vibration based on your preferences.

Turning the Reminder On/Off:

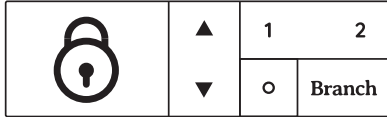
1. Press the **Branch** Button once to start the Timer. The **Bell** [Δ] icon and a **Status Bar** will appear on screen next to the desk height.
2. Press the **Branch** Button at any time to stop the Timer. The **Bell** [Δ] icon and **Status Bar** will disappear.



Adjusting the Reminder Settings:

1. Press the **Menu Button** [○] once. Use the **Down Arrow** [▼] to scroll to **Reminder** settings, then press the **Menu Button** [○].
2. Use the **Up Arrow** [▲] or **Down Arrow** [▼] to highlight either; **Time** (interval between reminders), or **Trigger** (vibration alert on/off). Press the **Menu Button** [○] to enter the selected option.
 - 3A. To adjust the Time Setting, use the **Up Arrow** [▲] and **Down Arrow** [▼] to adjust the hours. Press the **Menu Button** [○] to move to minutes, then adjust as needed. Press **Menu Button** [○] again to confirm. A checkmark animation will confirm the update.
 - 3B. To adjust the Trigger Setting, Use the **Up Arrow** [▲] or **Down Arrow** [▼] to turn **Vibration** On or Off. Press the **Menu Button** [○] to confirm. A checkmark animation will confirm the update.

User Guide (Keypad)



Keypad Lockout

The Keypad can be locked-out to prevent user (child/pet) access, movement, and/or function.

To Lock the Keypad:

1. Press the **Menu Button [o]** once to open the main menu.
2. Use the **Down Arrow [▼]** to scroll to **Lock**, then press the **Menu Button [o]** to activate the **Lock**. The keypad will become disabled.

To Unlock the Keypad:

1. Press the **1 Button** to reveal the **Lock Icon [🔒]**.
2. Press the **2 Button**. An unlock animation will confirm that the keypad is active again.

User Guide (Keypad)

Settings Limit	▲	1	2
	▼	○	Branch

Maximum/Minimum Height Limits

You can customize the full height range of the desk by setting Maximum and Minimum Height Limits.

To set a Height Limit:

1. Adjust the desk to the desired maximum or minimum height using the **Up Arrow [▲]** or **Down Arrow [▼]**.
2. Press the **Menu Button [○]** to open the main menu.
3. Use the **Down Arrow [▼]** to scroll to **Settings**, then press the **Menu Button [○]** to select. Press the **Menu Button [○]** again to enter the **Height Limit** settings.
4. Use the **Up Arrow [▲]** or **Down Arrow [▼]** to scroll through the following options:
 - Max** – Set the current height as the maximum
 - Min** – Set the current height as the minimum
 - Reset** – Clear any previously set limits
5. Press the **Menu Button [○]** to confirm your selection. A checkmark animation will confirm the setting.

Settings > Limit Reset	▲	1	2
	▼	○	Branch

To Reset the Maximum/Minimum Height Limits:

1. Repeat steps 1-4 above.
2. Select **Reset** and press the **Menu Button [○]** to confirm. A checkmark animation confirms the height limits have been cleared.

User Guide (Keypad)

Settings One Touch	▲	1	2
	▼	○	Branch

One Touch Settings

The One Touch feature allows your Standing Desk to automatically move to a saved height preset with a quick double-tap of the 1 or 2 button. When One Touch is turned off, you must press and hold the preset button until the desk reaches the saved height.

To enable or disable the One Touch feature:

1. Press the **Menu Button [o]** once to enter the main menu. Use the **Down Arrow [▼]** to scroll to **Settings**, then press the **Menu Button [o]** again to select it.
2. Use the **Up Arrow [▲]** or **Down Arrow [▼]** to toggle **One Touch** On or Off. Press the **Menu Button [o]** to confirm your selection. A checkmark animation will confirm the change.

User Guide (Keypad)

Settings Safe Stop	▲	1	2
	▼	○	Branch

Safe Stop Settings

Safe Stop helps prevent the desk from colliding with objects while moving. You can adjust the sensitivity level based on your environment or preference.

To adjust Safe Stop sensitivity:

1. Press the **Menu Button [o]** once to open the main menu.
2. Use the **Down Arrow [▼]** to scroll to **Settings**, then press the **Menu Button [o]** to enter.
3. Use the **Down Arrow [▼]** to scroll to **Safe Stop**, then press the **Menu Button [o]** to select.
4. Use the **Up Arrow [▲]** or **Down Arrow [▼]** to toggle between:
 - Low** – least sensitive
 - Medium** – balanced
 - High** – most sensitive
5. Press the **Menu Button [o]** to confirm your selection. A checkmark animation will confirm that the sensitivity has been updated.

User Guide (Keypad)

Settings Language	▲	1	2
	▼	○	Branch

Language Settings

The keypad language can be adjusted to English or Chinese (Simplified).

1. Press the **Menu Button [o]** once to open the main menu.
2. Use the **Down Arrow [▼]** to scroll to **Settings**, then press the **Menu Button [o]** to enter.
3. Use the **Down Arrow [▼]** to scroll to **Language**, then press the **Menu Button [o]** to select.
4. Press the **Up Arrow [▲]** or **Down Arrow [▼]** to toggle between:
EN - English
CN - Chinese
5. Press the **Menu Button [o]** to confirm your selection. A checkmark animation will confirm the change.

User Guide (Keypad)

Settings Unit	▲	1	2
	▼	○	Branch

Units Settings

You can switch between centimeters and inches for the height display on the keypad. To change the Unit setting:

1. Press the **Menu Button [o]** once to open the main menu.
2. Use the **Down Arrow [▼]** to scroll to Settings, then press the Menu Button [o] to enter.
3. Use the **Down Arrow [▼]** to scroll to Unit and press the Menu Button [o] to enter.
4. Use the **Up Arrow [▲]** or **Down Arrow [▼]** to toggle between:
CM - Centimeters
IN - Inches
5. Press the **Menu Button [o]** to confirm your selection. A checkmark animation will confirm the change.

FAQ

Category

Answer

Can I use clamp-on accessories such as a Monitor Arm or Privacy Panels with this desk?

The Monitor Arm and Privacy Panels are compatible with the Standing Desk.

My desk is slightly wobbling side to side after assembly.

Ensure bolts are tightened as much as possible to eliminate any wobble, and ensure bolts remain tight every six months. Adjust the leveling glides as needed to ensure stability on uneven floors.

How can I keep the surface clean?

Wipe with a dry microfiber cloth or duster. For more stubborn grime, use a solution of mild dish soap and warm water, applying it with a damp cloth and wiping dry with a clean cloth. Avoid using abrasive cleaners or harsh chemicals, as they can damage the finish.

All Done!

Go ahead, try it out. You may experience what we call an “ahhh” sensation. That’s completely normal. You’re now well equipped for whatever the workday throws at you.

Now, don’t be shy. Show us how it looks!

@branchfurniture
#officebybranch

Contact

Have a question, comment, or suggestion?

hello@branchfurniture.com
branchfurniture.com

V1.1-2026-06-25

Branch