

**SEGA<sup>®</sup> x Branch**

---

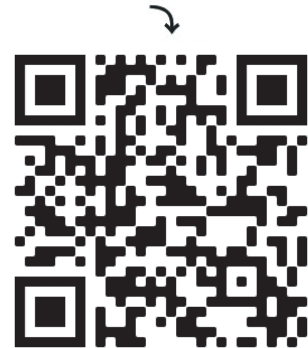
**Ergonomic Chair Pro**

Caster Wheels Assembly Guide

**SONIC**™  
**THE HEDGEHOG**

# The new way of ~~working~~ \*gaming you've been waiting for

Scan here for a digital copy  
of your assembly guide.



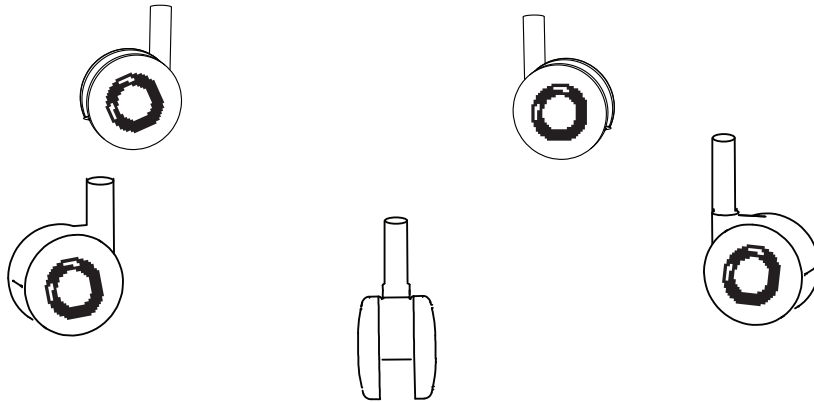


# Caution

- Use this product only for seating one person at a time.
- Some screws may be preassembled. If preassembled, ignore assembly instructions.
- Handle the cylinder and mechanism parts carefully as they may have grease, which can stain chair fabric or clothing.
- Do not use this chair as a step stool/ladder, or on uneven floor surfaces.
- Do not sit on any part of the chair except the seat.
- Do not use chair unless all bolts, screws, and knobs are tightened.
- Decals applied on the chair are decorative, do not intentionally scratch, bend, or scrape
- Every six months, please make sure all bolts, screws, and knobs are fully tightened to ensure stability.
- If any parts are missing, broken, damaged, or worn, stop use of the product until repairs are made using Branch-authorized parts.
- Failure to follow these warnings could result in serious injury.

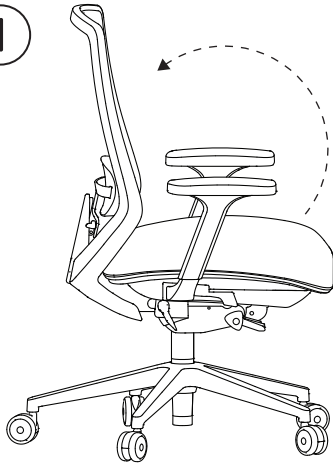
# Components

Casters (x5)

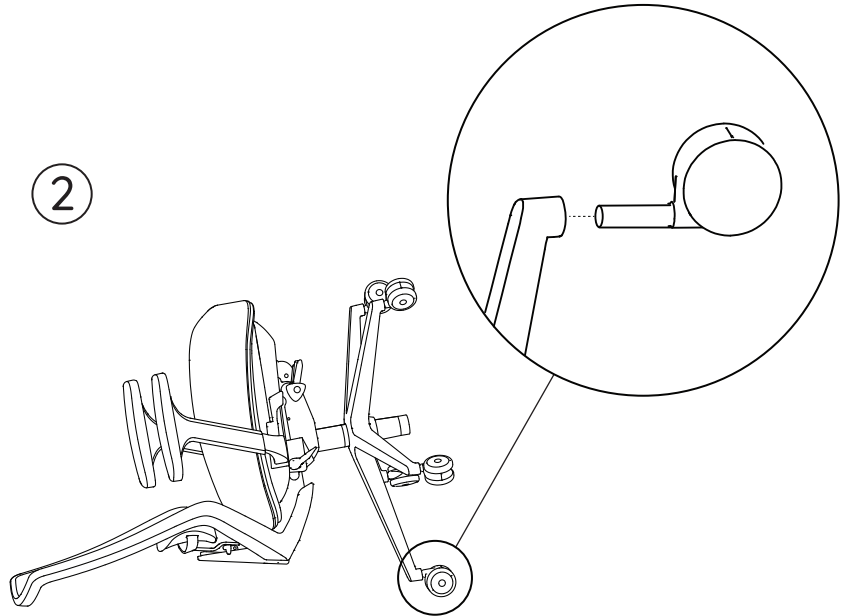


# 1

①



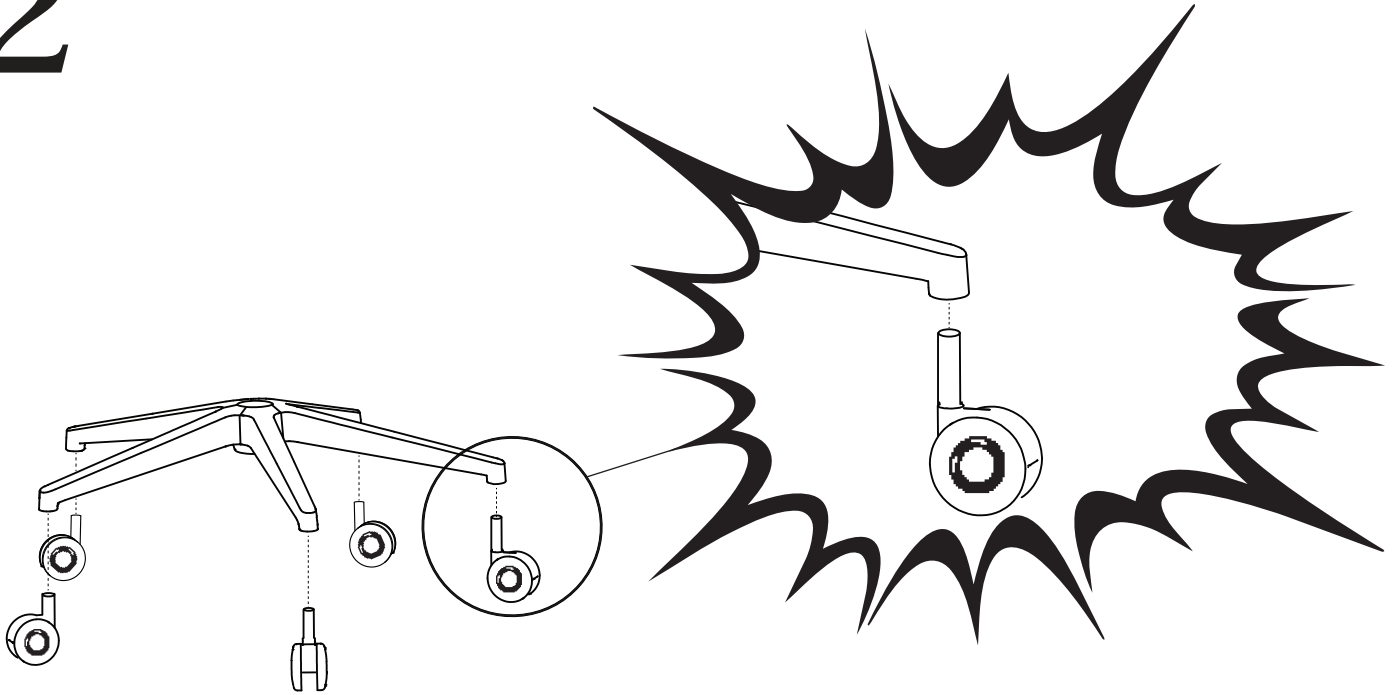
②



With help from a friend, carefully lay the Ergonomic Chair Pro on its back, on a clean, flat surface. Next, with the assembled chair still upside-down, push existing the Casters (x5) out of each hole with a fair amount of force (they should 'pop' out).

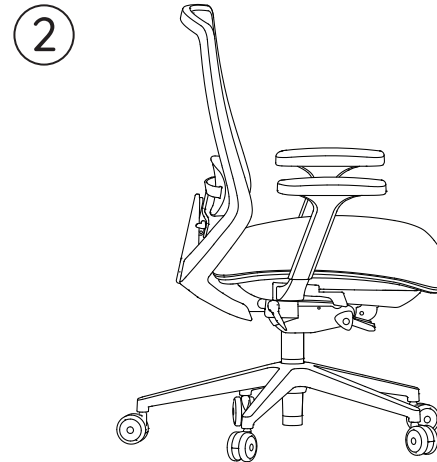
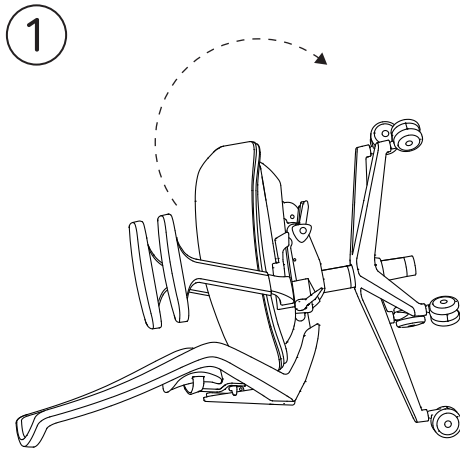
If you are assembling the chair for the first time with the additional caster kit, insert the casters at step 2 in the Ergonomic Chair Pro guide, continuing through the rest of the chair guide after.

# 2



With the assembled chair still upside-down, push the included **Casters** (x5) into each hole with a fair amount of force (they should 'pop' in).

# 3



With the new casters installed and help from a friend, carefully place the chair back into an upright position.

# Game On!

Go ahead, try it out. You may experience what we call an “ahhh” sensation. That’s completely normal. You’re now well equipped for whatever the workday or gaming session throws at you!

Now, don’t be shy. Show us your setup!

@segaofficial  
@sonicthehedgehog  
@branchfurniture  
#gamingwithbranch

**SEGA**<sup>®</sup> x **Branch**

# Contact

Have a question, comment, or suggestion?

hello@branchfurniture.com  
branchfurniture.com

V1.0-2026-04-09

**Branch**