



One Booth

BUREAU

OVERVIEW

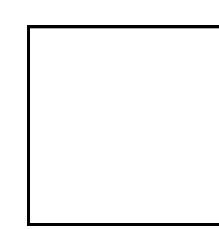
The One Booth comes in three configurations, built for focused work or 1:1 meetings. Choose the One Stand for a compact setup with a wall-mounted desk and ergonomic stool, One Focus for a roomier workspace, or One Meet for a two-person setup ideal for meetings.

COLORS

Domino Black



Cloud White



DETAILS

Materials: Aluminium frame, eco-friendly fabric wrapped PET panel wall lining, double laminate glazed doors

Stand

Power: x1 DGPO, x1 USB-C, and x1 USB-A

Lights: 1x 36w (24V/1.5A)

Airflow: 91 yd³/hr

Focus

Power: x1 DGPO, x1 USB-C, and x1 USB-A

Lights: 1x 36w (24V/1.5A)

Airflow: 143 yd³/hr

Meet

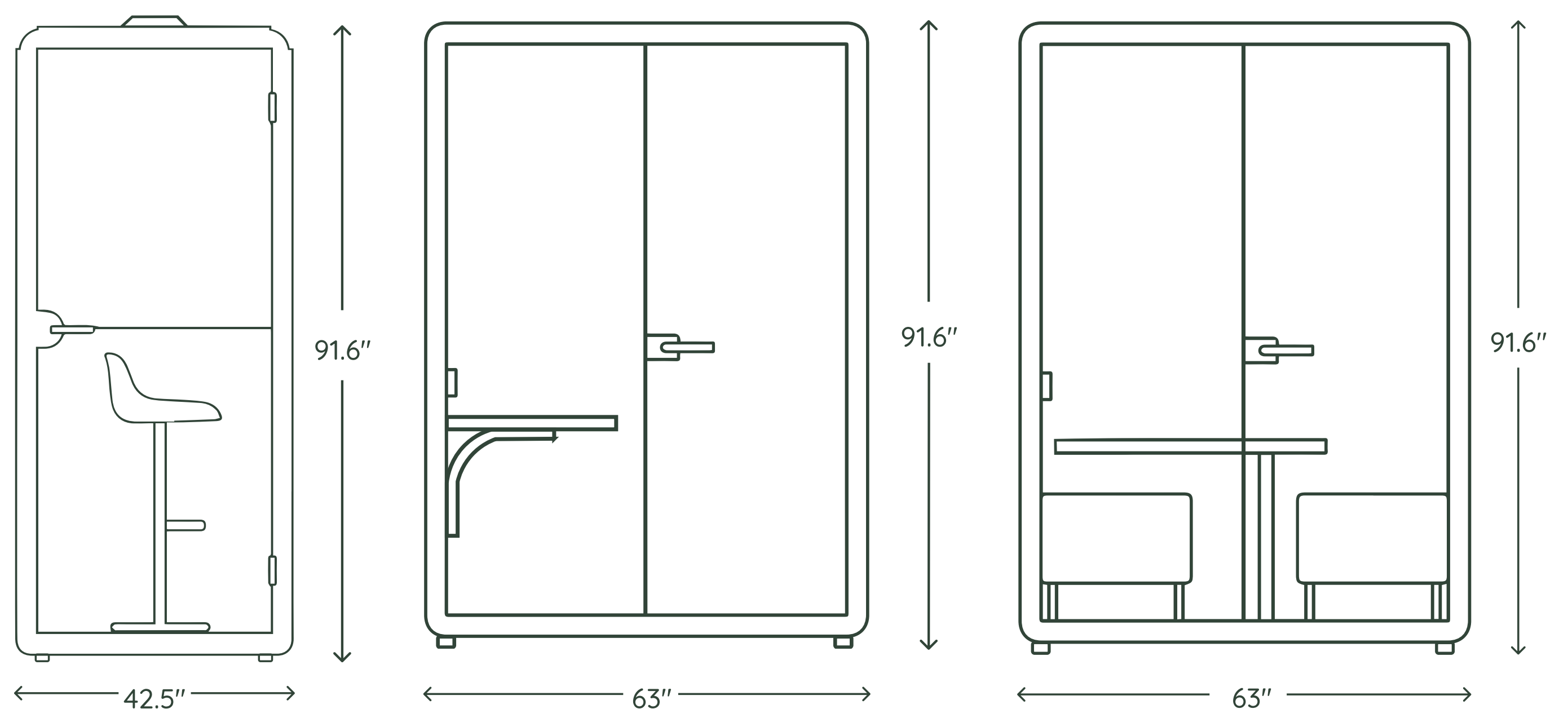
Power: x1 DGPO, x1 USB-C, and x1 USB-A

Lights: 1x 36w (24V/1.5A)

Airflow: 143 yd³/hr

WARRANTY

2-year warranty. View our full policy at branchfurniture.com/pages/returns-and-warranty.



SPECIFICATIONS

Stand

External: 42.5"W x 39.4"D x 91.6"H

Internal: 37.1"W x 37.8"D x 84.5"H

Assembled weight: 738.5 lbs

Focus

External: 63"W x 54.1"D x 91.6"H

Internal: 57.6"W x 52.6"D x 84.5"H

Assembled weight: 1,107 lbs

Meet

External: 63"W x 54.1"D x 91.6"H

Internal: 57.6"W x 52.6"D x 84.5"H

Assembled weight: 1,107 lbs

Branch