



MATERIALS

High-density foam: durable and supportive high-density foam suitable for long-term use.

Fabric: 100% polyester, durable fabric rated to 50,000+ double rubs

RETURN POLICY

Like-new Branch products in their original packaging can be returned for a refund within 30 days of purchase.

WARRANTY

10-year warranty. View our full policy at branchfurniture.com/pages/returns-and-warranty.

CLEANING AND CARE

Fabric cleaning: professional cleaning recommended. Vacuum fabric upholstery weekly and do not use abrasive brushes.

General maintenance: shake loose cushions regularly to keep shape and reduce flattening over time.

Modular Sofa

OVERVIEW

Endlessly configurable units work together to create inviting lounge landscapes with the Modular Sofa. Change or build upon your layout over time by adding, removing, and reconfiguring individual units.

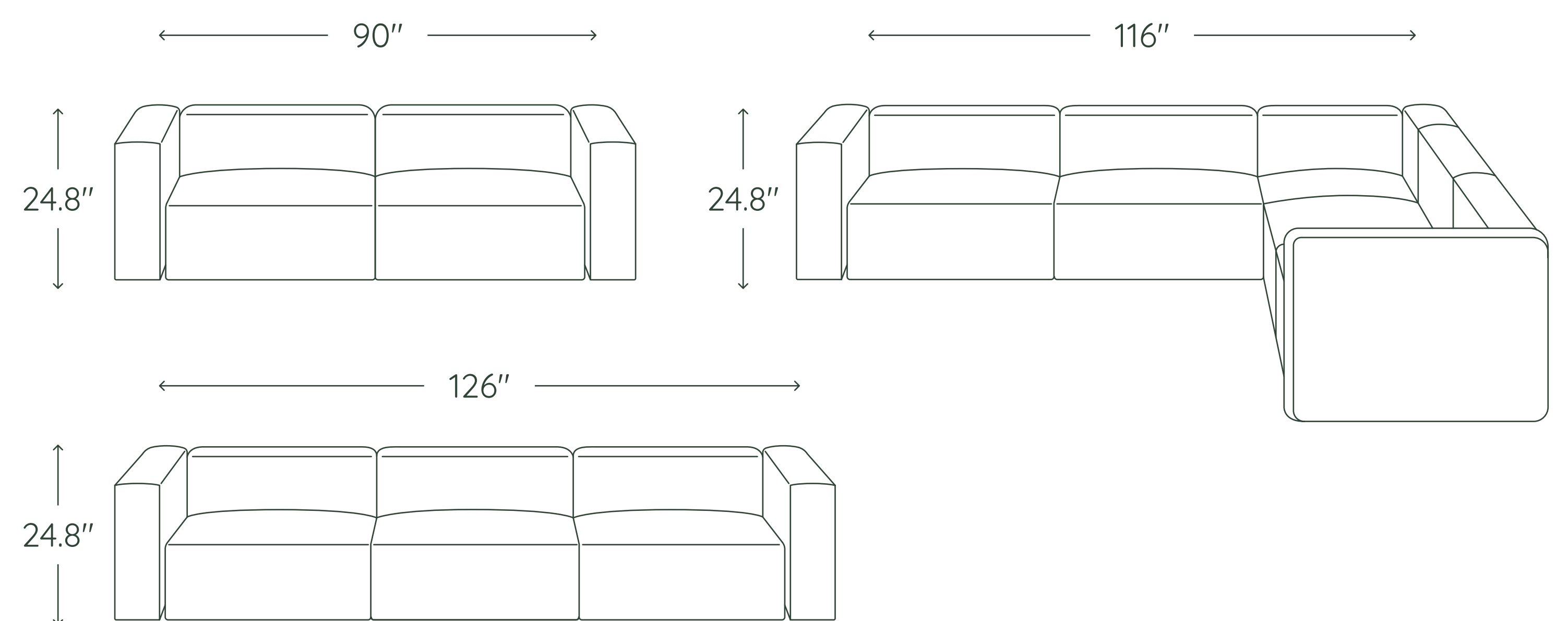
Crafted on a solid wood frame with elastic webbing suspension, the Modular Sofa provides comprehensive support for serious work or lounging with soft cushions, rounded corners, and sloped armrests. A curated residential “feel” helps make the office feel more like home.

COLORS

Alloy



#918788



SPECIFICATIONS

2-seater: 90"W x 34.5"D x 24.8"H

3-seater: 126"W x 34.5"D x 24.8"H

Sectional: 116"W x 116"D x 24.8"H

Assembled weight: 80-101.4 lbs per module

OPTIONAL ADD ONS



Additional sofa module

Change or build upon your layout over time by adding individual units.