



MATERIALS

Laminated MDF top: repels dings and spills in style, with a beveled edge and built-in cable grommet.

Articulated steel legs: coated 3mm steel with 3-column lift for adjustment at any height.

Tapered feet: tapered and adjustable, our steel desk feet ensure stability on any surface.

RETURN POLICY

Like-new Branch products in their original packaging can be returned for a refund within 30 days of purchase.

WARRANTY

10-year warranty for tabletop and frame components. View our policy at branchfurniture.com/pages/returns-and-warranty.

CLEANING AND CARE

Top: use a soft cloth soaked in warm, soapy water and follow with a streak-free glass cleaner.

Frame: wipe off dust with a soft cloth, and use a mild soap with water to remove stains and debris.

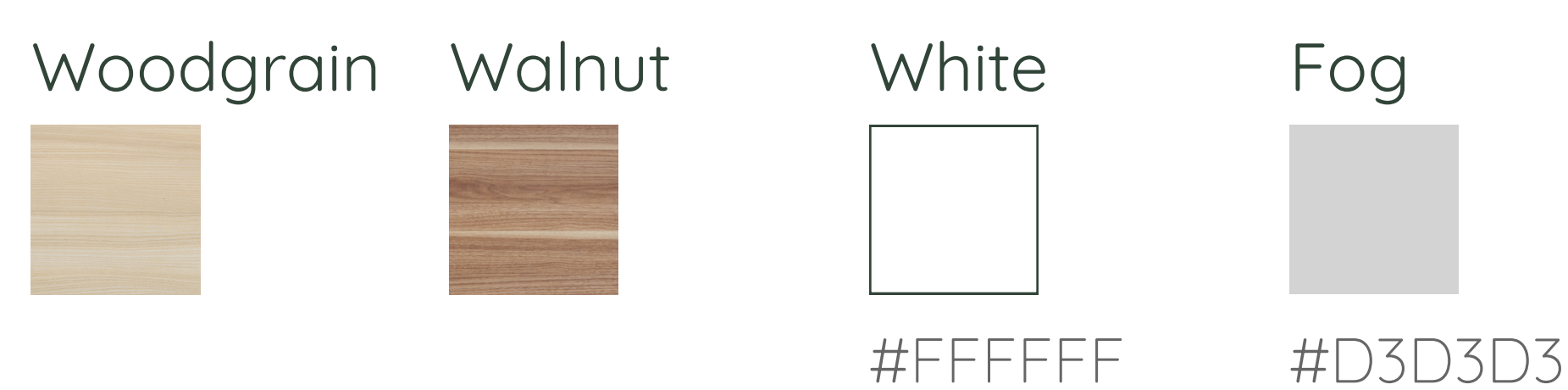
Standing Desk

OVERVIEW

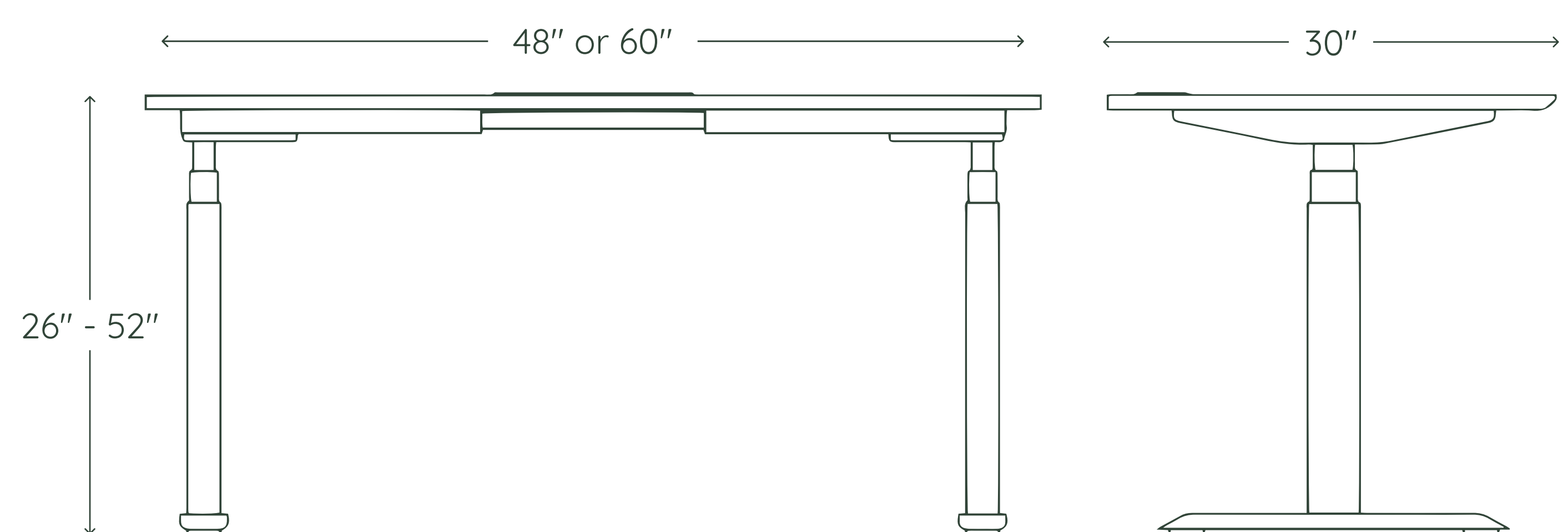
Make movement part of your everyday routine with the Standing Desk, the do-it-all centerpiece that adjusts to your workflow while improving health and productivity.

Its dual motors and three-stage lift columns make the transition between sitting and standing—and back again—so seamless you'll be hard-pressed to find a reason not to move. Easily set and save your optimal height(s) with centimeter-level precision and four memory presets, while enjoying thoughtful details like built-in cable organization.

TOP COLORS



BASE COLORS



SPECIFICATIONS

48x30: 48"W x 30"D x 26"-52"H **Lift range:** 26" (26"-52")

60x30: 60"W x 30"D x 26"-52"H **Memory:** 4 presets

Max capacity: 275 lbs

Operating speed: 1.3in/s

Assembled weight: 115-122 lbs

Operating noise: <50dB

OPTIONAL ADD ONS



In-Desk Power

With five AC outlets, one USB-B port, and one USB-C port, your desk will be ready to power your workday.

Branch