



MATERIALS

Laminated melamine: repels dings and spills in style, available in several finishes.

RETURN POLICY

Like-new Branch products in their original packaging can be returned for a refund within 30 days of purchase.

WARRANTY

10-year warranty. View our policy at branchfurniture.com/pages/returns-and-warranty.

CLEANING AND CARE

Use a soft cloth soaked in warm, soapy water and follow with a streak-free glass cleaner.

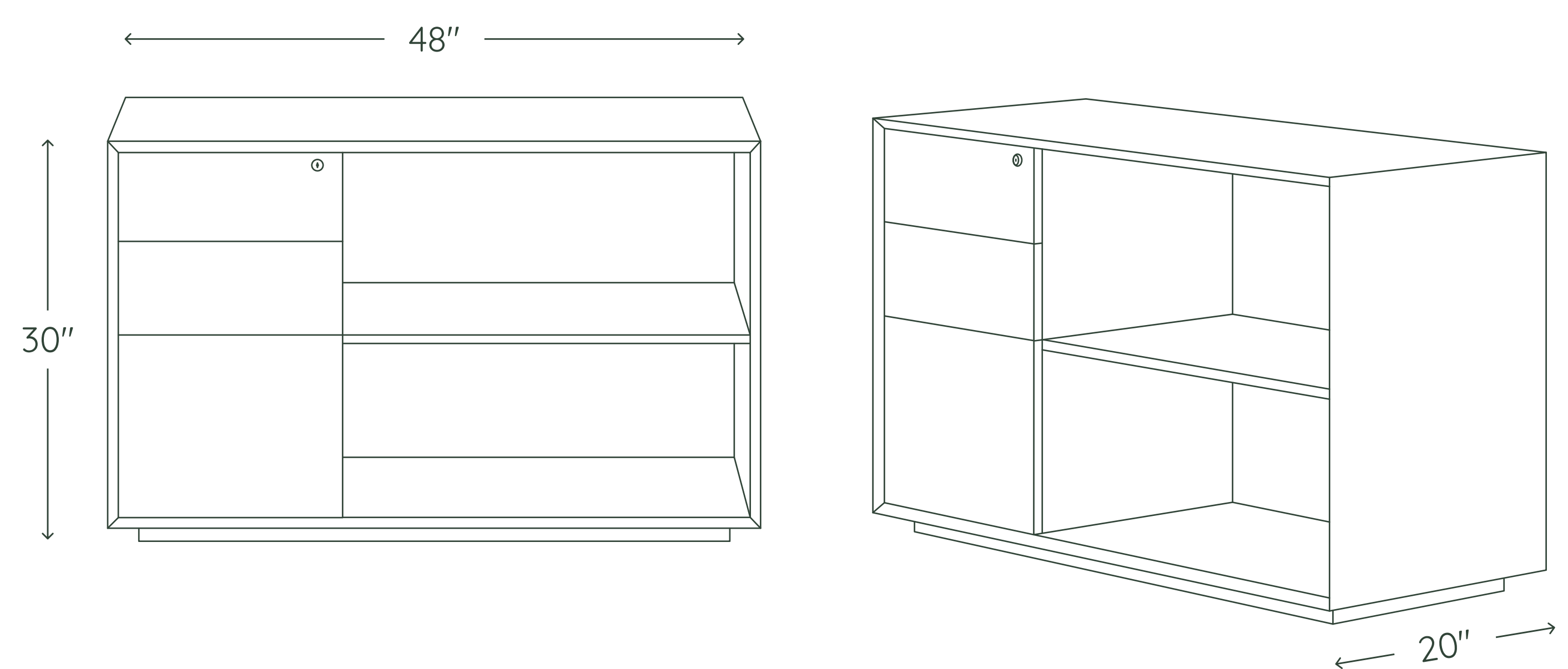
Credenza

OVERVIEW

The Branch Credenza is a beautiful and practical accent for offices and common spaces. Spacious shelving with dividers permits easy access to necessities and display items, while a locking cabinet provides secure storage for documents and valuables.

Available in a variety of finishes, with a storage cabinet oriented toward either the left or right side. Can pair with Standing Desk or Office Desk to form an executive L-Desk.

COLORS



SPECIFICATIONS

Overall: 48"W x 20"D x 30"H

Assembled weight: 125 lbs

Max capacity: 300 lbs