



MATERIALS

Seat fabric: upholstered seat in 100% post-consumer recycled polyester fabric

Base: made of beech plywood covered with an ash top veneer.

RETURN POLICY

Like-new Branch products in their original packaging can be returned for a refund within 30 days of purchase.

WARRANTY

3-year warranty. View our full policy at branchfurniture.com/pages/returns-and-warranty.

CLEANING AND CARE

Base and frame: use a gentle, non-ammonia cleaning product to shine and remove scuffs.

Seat: use a furniture spot-cleaner to remove any stains from your chair. Avoid bleach and water-based cleaning products to prevent discoloration.

Variable Kneeling Chair

VARIER

OVERVIEW

First introduced at the Scandinavian Furniture Fair in Copenhagen in 1979, Variable was the first prototype of its kind. This original kneeling chair designed by Peter Opsvik encourages you to shift between positions throughout the day.

Lean forward, rock back, stretch out, and let the chair follow your body's natural movements while helping your spine maintain its natural curve. Ideal for workers who alternate between sitting and standing at work, short work sprints or a team touch base.

COLORS

Black/
Natural Wood



Dark Gray/
Natural Wood



Dark Blue/
Natural Wood



Black/Black



Monochrome
Fern



#5F735F

Monochrome
Oxide

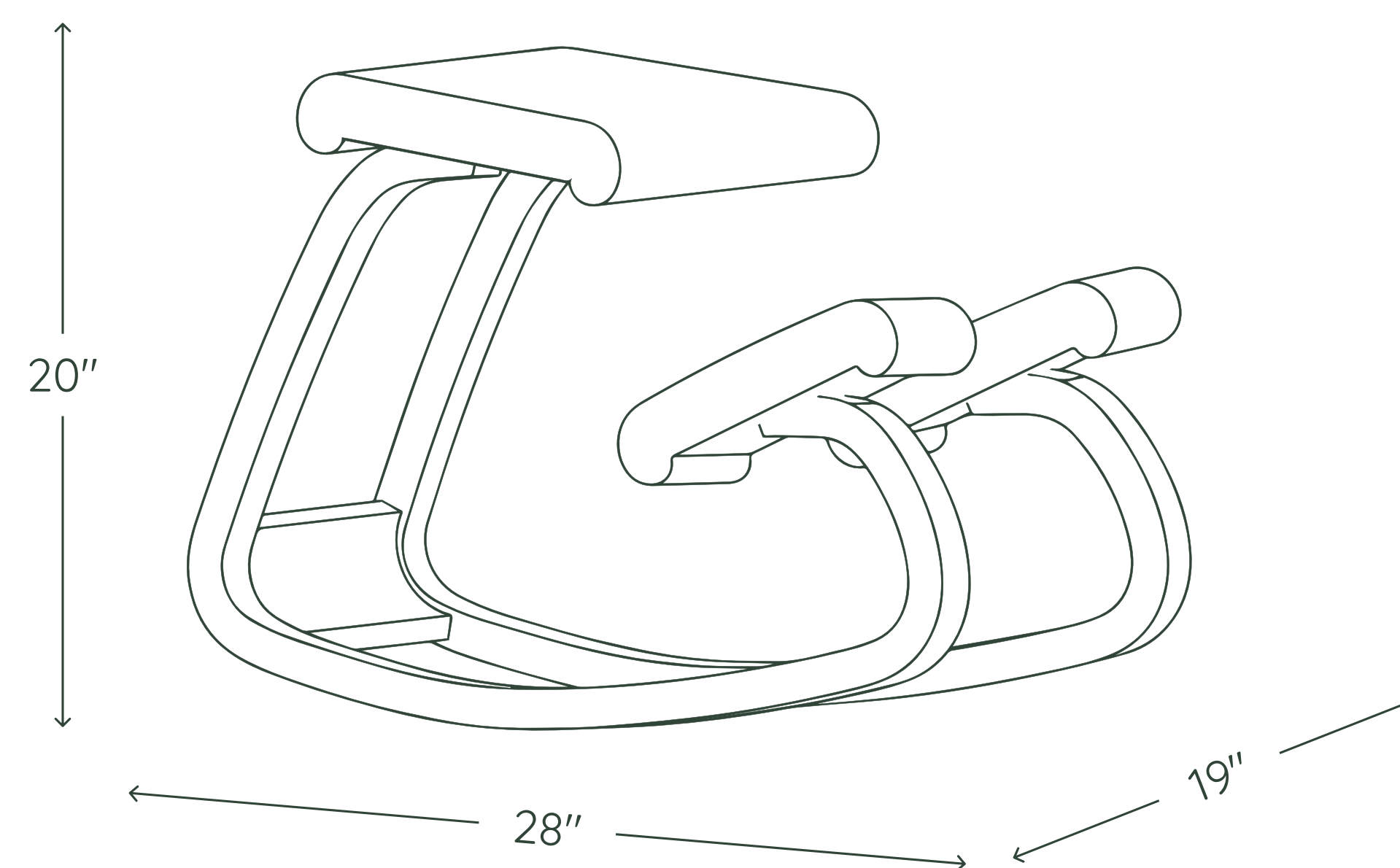


#9D6843

Monochrome
Stone



#869BB3



SPECIFICATIONS

Overall: 19"W x 28"D x 20"H

Max capacity: 240 lbs

Seat height: 20"

Assembled weight: 15 lbs

Base width: 19"

Branch