



MATERIALS

Kiln-dried hardwood frame: provides stable and long lasting comfort and stability.

Cold rolled steel legs: for a smooth and superior finish. higher in precision.

High-density foam: durable and supportive high-density foam suitable for long-term use.

Fabric: Dacron fiber wrap fabric, rated to 100,000 double rubs

RETURN POLICY

Like-new Branch products in their original packaging can be returned for a refund within 30 days of purchase.

WARRANTY

2-year warranty. View our full policy at branchfurniture.com/pages/returns-and-warranty.

CLEANING AND CARE

Base: wipe off dust with a soft cloth, and use a mild soap with water to remove stains and debris.

Seat: use a furniture spot-cleaner to remove any stains from your chair. Avoid bleach and water-based cleaning products to prevent discoloration.

Sofa

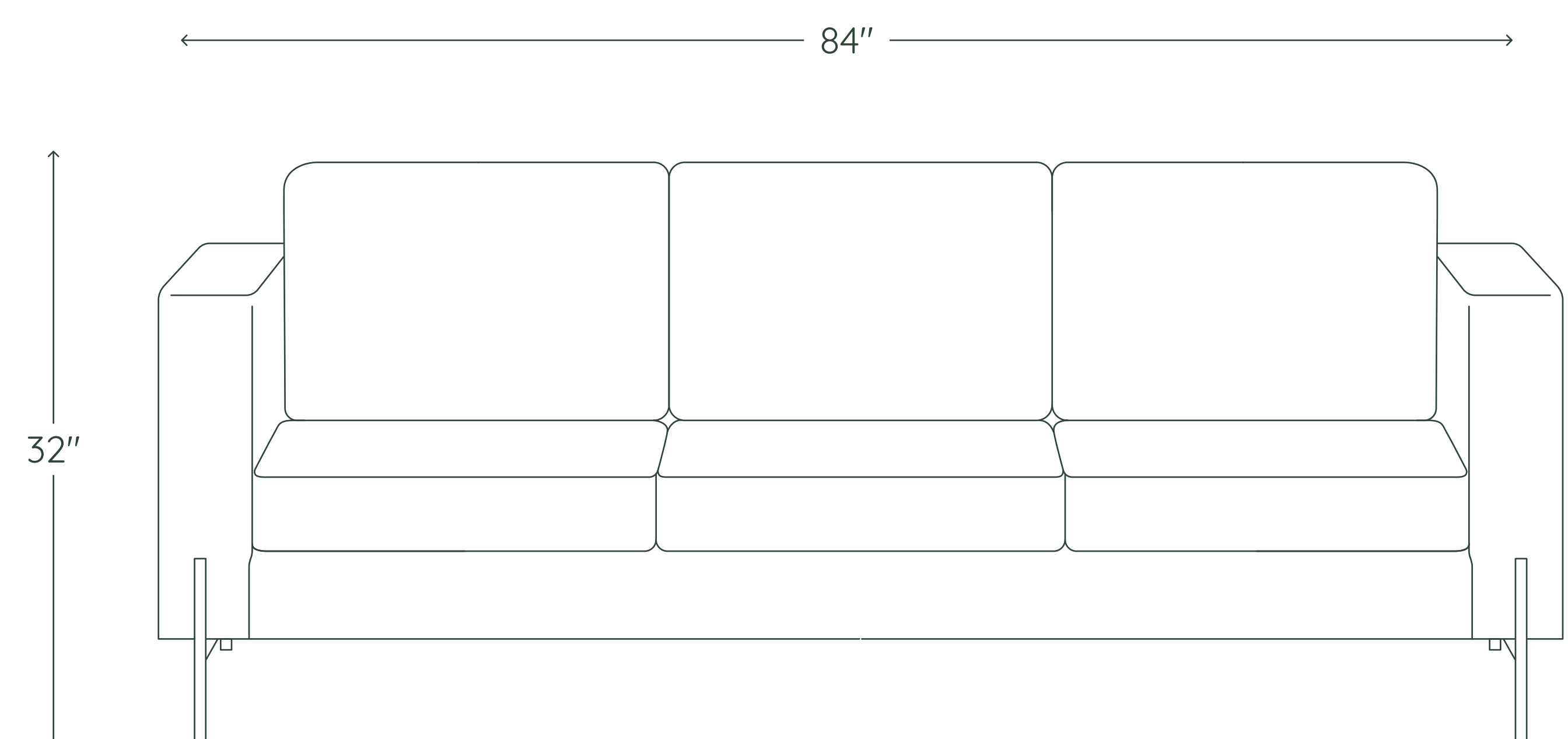
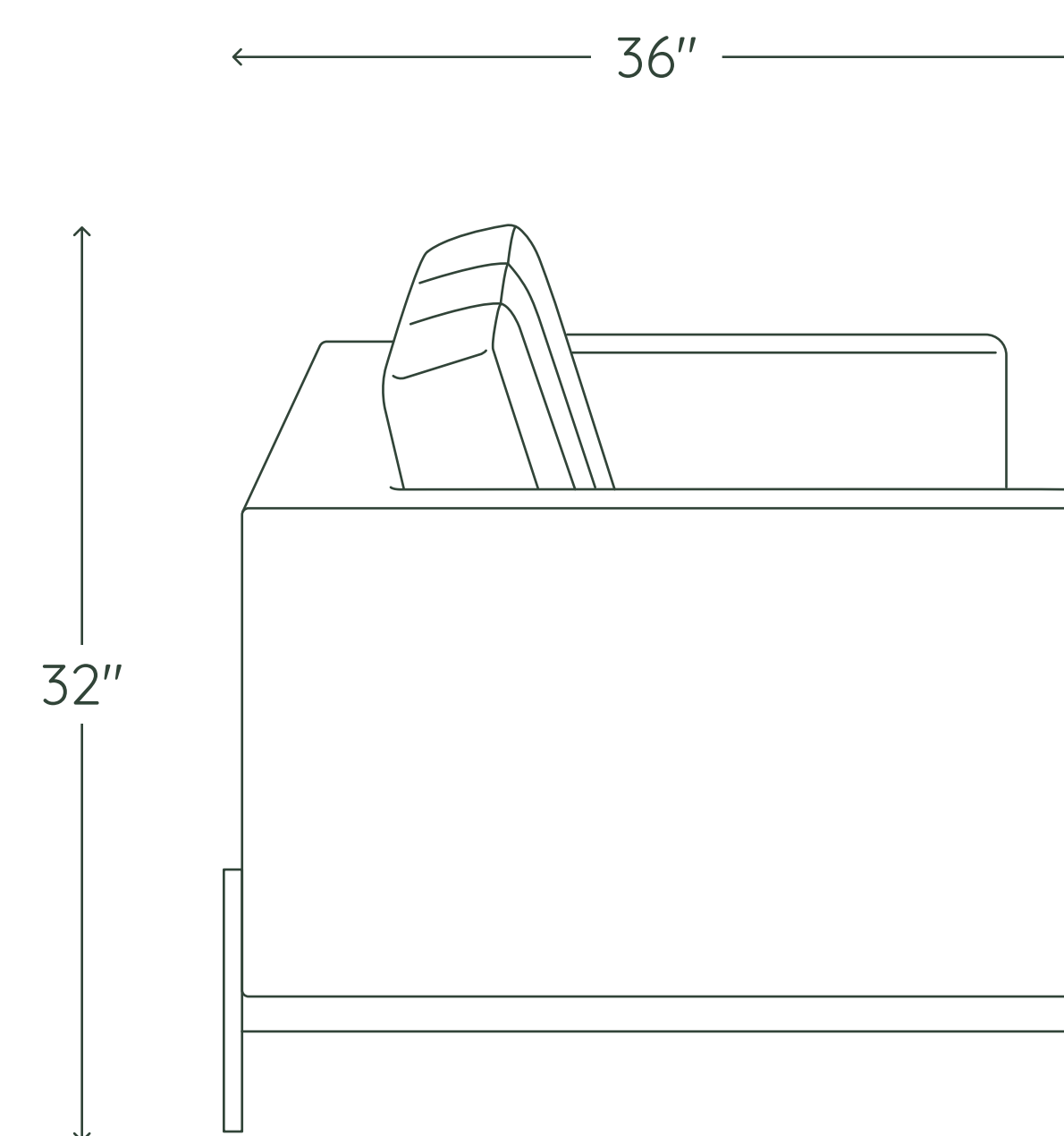
OVERVIEW

The Branch x Emblem Sofa is an exceptional accent for high-traffic and collaborative spaces. Designed in partnership with Emblem and made in California, with a kiln-dried frame and Dacron fiber weave to combine comfort and durability. Features tailored arms, high-density foam cushions, and reinforced joints.

Ideal for reception areas, executive offices or casual breakout rooms. Pair with our Lounge Chair for the ultimate lounge experience.

COLORS

Charcoal Gray Smoke Gray
 
 #686868 #CECECE



SPECIFICATIONS

Overall: 84"W x 36"D x 32"H

Max capacity: 1,000 lbs

Assembled weight: 160 lbs

Branch