



Office Desk

OVERVIEW

Designed with thoughtful details including flared legs, height-adjustable feet, and a brushed cable port, the Office Desk sets the foundation for you to do your best work. Its impact-resistant, double laminated top resists spills and dings while its steel frame supports up to 650 lbs with exceptional stability.

The Office Desk can be easily customized for a perfect fit anywhere you work—making it a durable and elegant professional oasis for years to come.

MATERIALS

Laminated MDF top: repels dings and spills in style, with a beveled edge and built-in cable grommet.

Articulated steel legs: 3mm steel tubing in a powder coated or polished aluminum finish.

Tapered feet: tapered and adjustable, our desk feet ensure stability on any surface.

RETURN POLICY

Like-new Branch products in their original packaging can be returned for a refund within 30 days of purchase.

WARRANTY

10-year warranty. View our full policy at branchfurniture.com/pages/returns-and-warranty.

CLEANING AND CARE

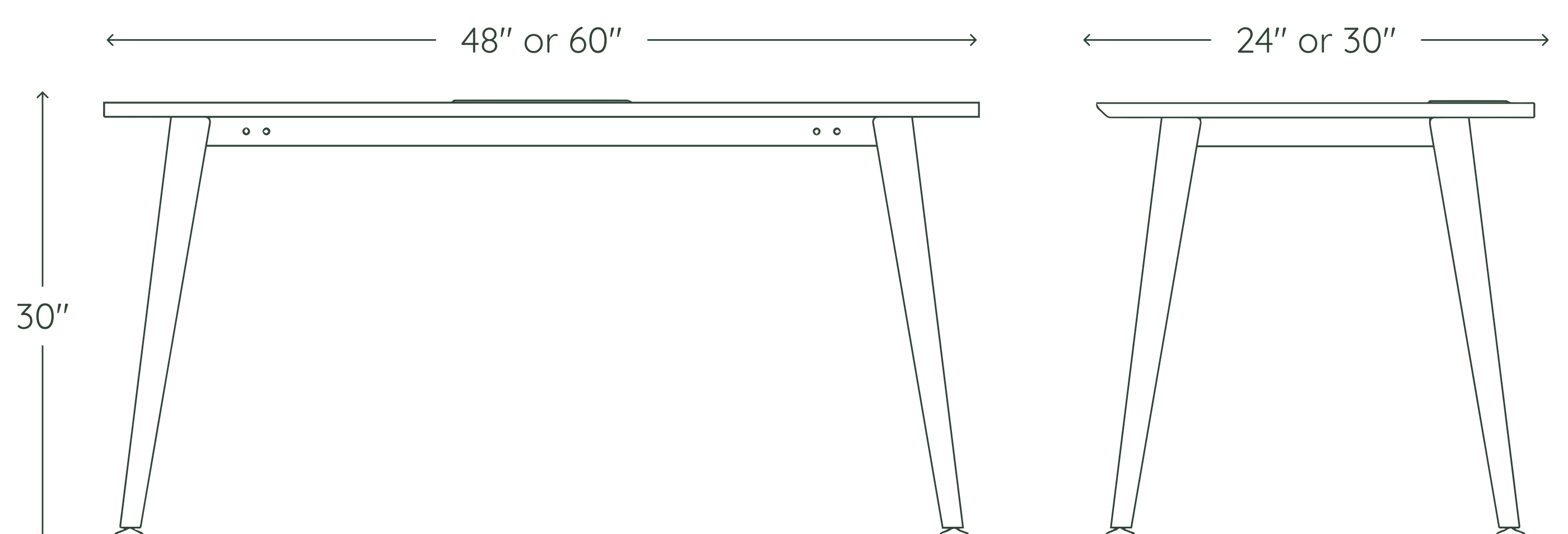
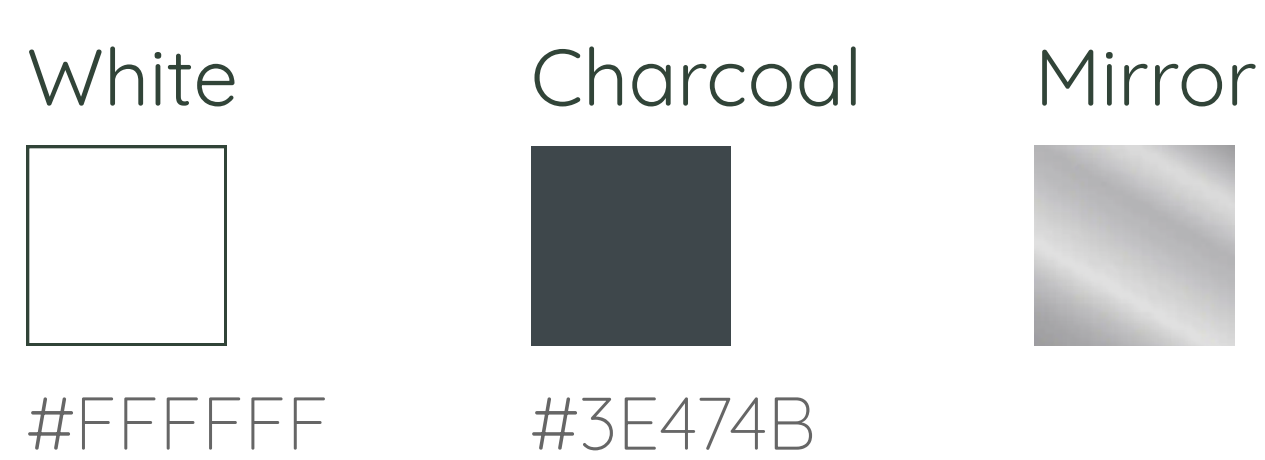
Top: use a soft cloth soaked in warm, soapy water and follow with a streak-free glass cleaner.

Frame: wipe off dust with a soft cloth, and use a mild soap with water to remove stains and debris.

TOP COLORS



BASE COLORS



SPECIFICATIONS

48x24: 48"W x 24"D x 30"H Assembled weight: 68-74 lbs

60x30: 60"W x 30"D x 30"H Max capacity: 650 lbs

OPTIONAL ADD ONS

