



L-Desk

OVERVIEW

TOP COLORS



BASE COLORS



MATERIALS

Laminated MDF/melamine: desktop and credenza repel dings and spills in style, available in several finishes.

Articulated steel legs: 3mm steel tubing in a coated or polished aluminum finish.

Tapered feet: tapered and adjustable, our desk feet ensure stability on any surface.

RETURN POLICY

Like-new Branch products in their original packaging can be returned for a refund within 30 days of purchase.

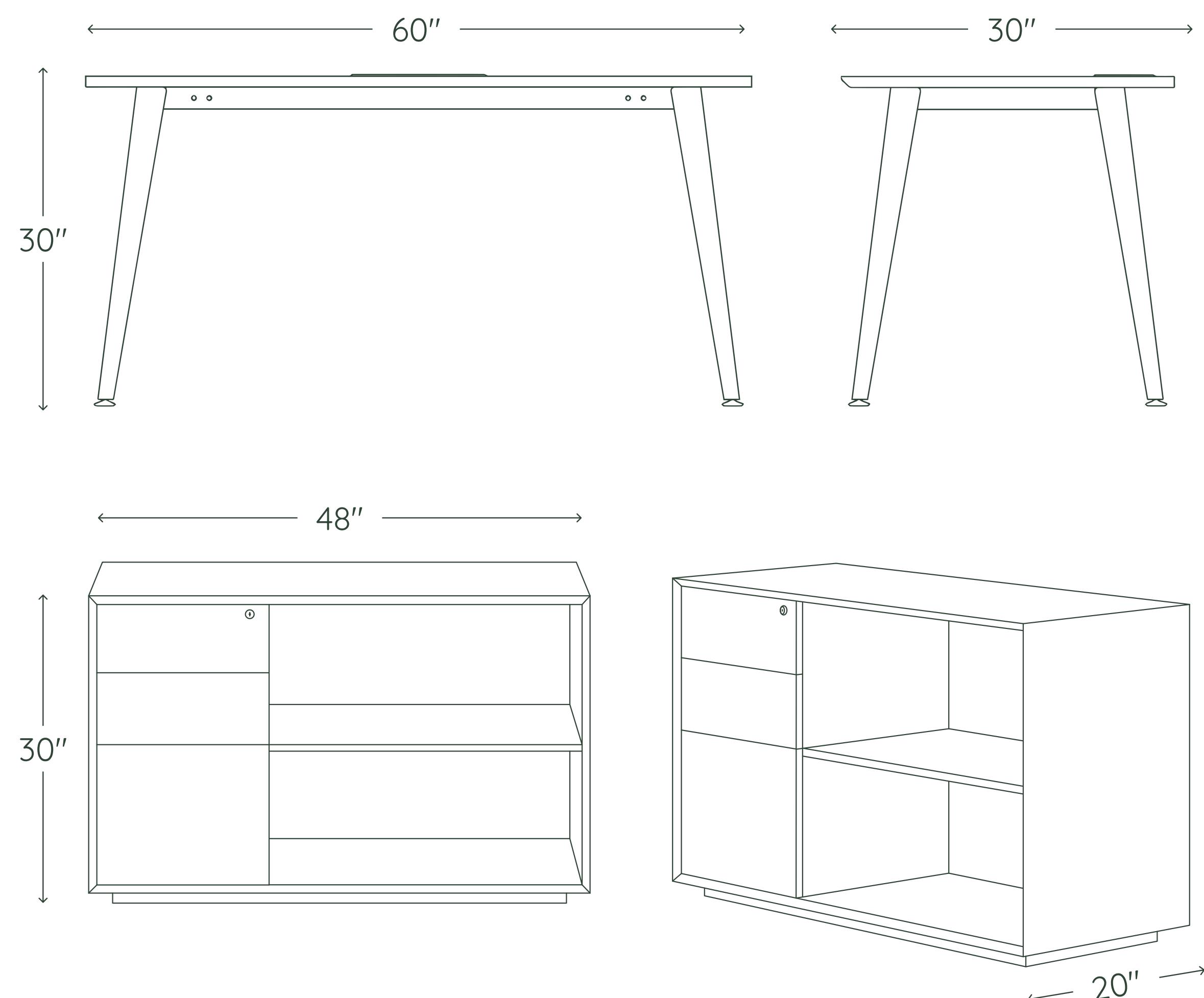
WARRANTY

10-year warranty. View our full policy at branchfurniture.com/pages/returns-and-warranty.

CLEANING AND CARE

Top: use a soft cloth soaked in warm, soapy water and follow with a streak-free glass cleaner.

Frame: wipe off dust with a soft cloth, and use a mild soap with water to remove stains and debris.



SPECIFICATIONS

Desk: 60"W x 30"D x 30"H

Assembled weight: 360 lbs

Credenza: 48"W x 20"D x 30"H

Max capacity: 650 lbs

OPTIONAL ADD ONS



In-Desk Power

With five AC outlets, one USB-B port, and one USB-C port, your desk will be ready to power your workday.

Branch