



Bistro Stool

OVERVIEW

With contoured lines and striking colors, the Bistro Stool is a casual seating solution that pairs with our high top Bistro Table or any elevated surface. Available in Bar or Counter Heights, the Bistro Stool features a low, contoured back designed to encourage upright posture, and a high-density foam cushion for even weight distribution.

Coated steel legs add a touch of class while enhancing durability. Whether you purchase alone or pair with our Bistro Table, the Bistro Stool is a beautiful and comfortable way to sit in the workplace.

MATERIALS

Upholstery: made from a 100% polyester woven textile with firm foam and high abrasion resistance.

Base: coated steel pipe legs that are durable and prevent corrosion.

RETURN POLICY

Like-new Branch products in their original packaging can be returned for a refund within 30 days of purchase.

WARRANTY

5-year warranty. View our full policy at branchfurniture.com/pages/returns-and-warranty.

CLEANING AND CARE

Base: wipe off dust with a soft cloth, and use a mild soap with water to remove stains and debris.

Seat: use a furniture spot-cleaner to remove any stains from your chair. Avoid bleach and water-based cleaning products to prevent discoloration.

SEAT COLORS

Ribbed Fabric

Burnt Orange Smoke Blue



#CC6B52



#94A2AF

Unribbed Fabric

Burnt Orange Smoke Blue Fawn Zinc



#CC6B52



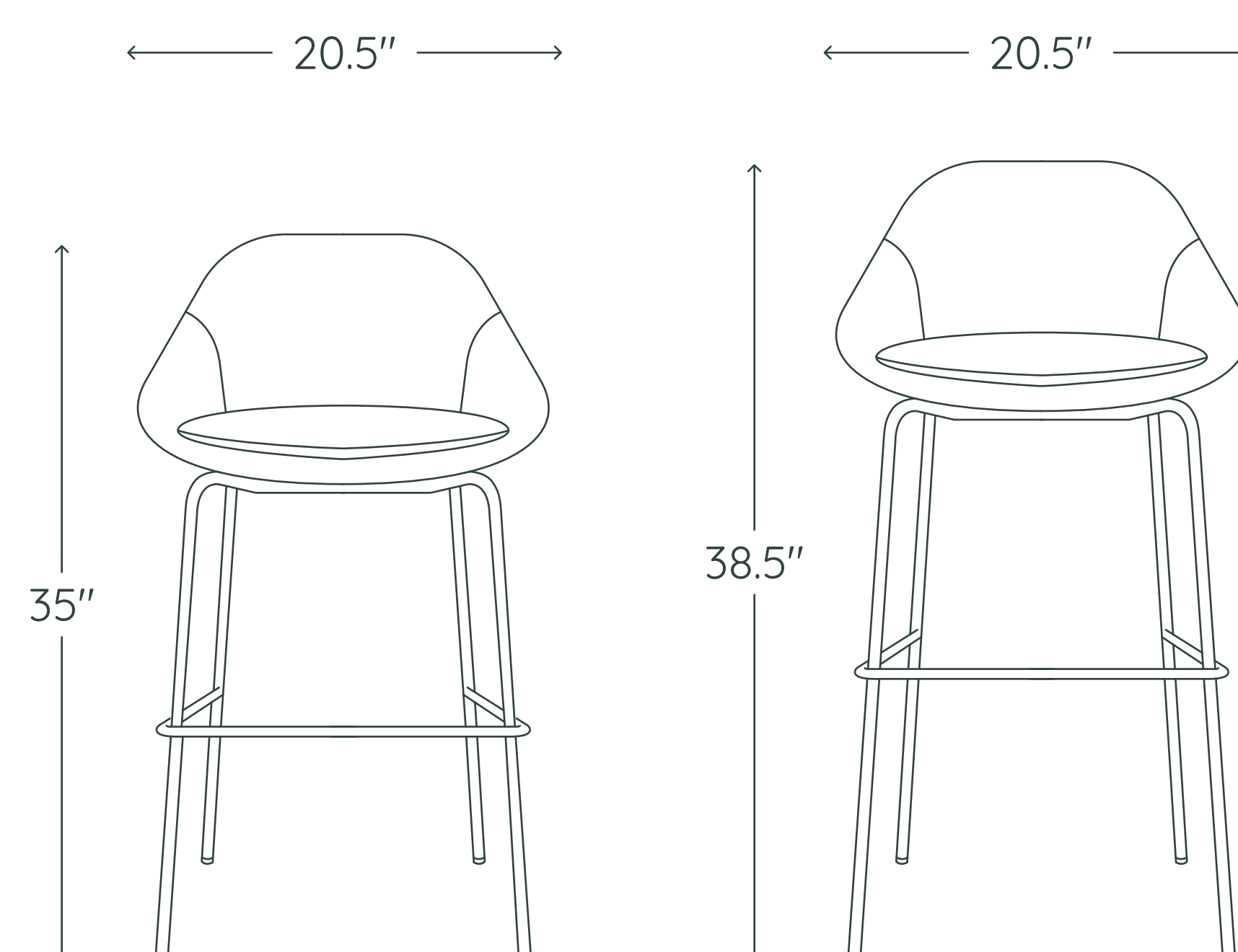
#94A2AF



#D3C7B5



#999B99



SPECIFICATIONS

Counter height: 20.5"W x 20"D x 35"H

Bar height: 20.5"W x 20"D x 38.5"H

Max capacity: 275 lbs

Assembled weight: 20 lbs